

# SBP Field Alteration

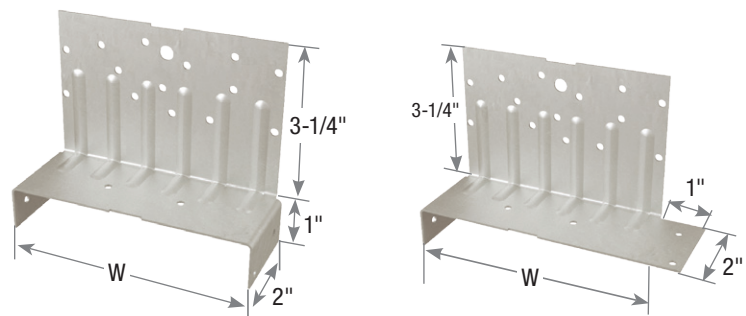
## For Installation on Sheathed Framing or Wider Top Plates

MiTek's Supplementary Bearing Plates (SBP) are designed to accommodate installation over either a 2 x 4 or 2 x 6 top plate. For proper installation per MiTek's catalog, exterior wall sheathing must be put on after the SBP has been installed.

**Sheathing in Place Prior to SBP Installation:**

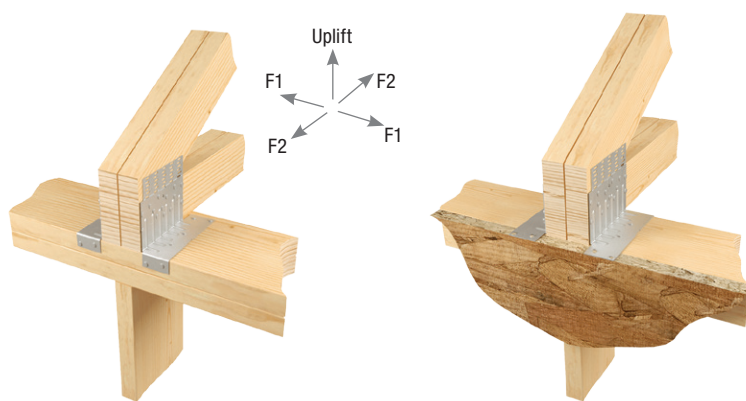
When sheathing is installed prior to the SBP, the specified fasteners cannot be installed properly and one of the side tabs will be unusable as it will be bent up (see Figure 2). With a side tab bent up and without the two nails installed, the only significant change to product performance will be the uplift and lateral resistance of the connection.

Top plates larger than a 2x6 may also require a field alteration to the SBP as pictured. Alterations in this manner will not affect the allowable bearing design values as published in MiTek's current Product Catalog. However, the uplift and lateral values for the altered SBP configurations aforementioned are outlined in the table below.



**SBP**

**SBP one tab up**  
(Figure 2)



**Typical SBP6 one tab up**  
**on a 2x8 top plate installation**  
(SBP4 similar)

**Typical SBP one tab up**  
**pre-installed sheathing**  
**installation**

USP Stock No.	Ref. No.	W (in)	Truss/Joist Thickness (in)	Fastener Schedule <sup>1,6</sup>					Application	DF/SP Allowable Loads (Lbs.) <sup>2,3,4</sup>			S-P-F Allowable Loads (Lbs.) <sup>2,3,4</sup>									
				Plate		Truss				Uplift 160%	F1 160%	F2 160%	Uplift <sup>4</sup> 160%	F1 160%	F2 160%							
				Top <sup>5</sup> Qty	Sides Qty	Type	Qty	Type														
SBP4	TBE4	3-1/2	2-7/8 or less	4	8	10d	20	10dx1-1/2	Standard Installation	1255	1530	1625	850	1195	1335							
			3 or more				10d															
			2-7/8 or less	8	4	10d	20	10dx1-1/2								One Tab Up (2x6 Top Plate)	785	1530	1530	660	1285	1190
			3 or more				10d															
2-7/8 or less	4	4	10d	20	10dx1-1/2	One Tab Up (Sheathing)	755	1510	960	655	1190	730										
3 or more				10d																		
SBP6	TBE6	5-1/2	2-7/8 or less	4	8	10d	28	10dx1-1/2	Standard Installation	1255	1530	1625	850	1195	1335							
			3 or more				10d															
			2-7/8 or less	8	4	10d	28	10dx1-1/2								One Tab Up (2x8 Top Plate)	925	1530	1530	775	1285	1285
			3 or more				10d															
2-7/8 or less	4	4	10d	28	10dx1-1/2	One Tab Up (Sheathing)	755	1510	960	655	1285	730										
3 or more				10d																		

1) Fastener Schedule is for a pair of SBP devices.  
 2) Allowable loads are for a pair of SBP devices. SBP's shall be installed in pairs.  
 3) Multiple ply trusses shall be fastened together to act as a single unit.  
 4) Uplift loads have been increased 60% for wind or seismic loads; no further increase shall be permitted.  
 5) Where truss sits on a single top plate, 10d x 1-1/2 nails may be used on the top side of the top plate.  
 6) **NAILS:** 10d x 1-1/2" nails are 0.148" dia. x 1-1/2" long, 10d nails are 0.148" dia. x 3" long.

**Customer Service & Technical Assistance**  
 Phone: 1-800-328-5934 • Fax: 1-952-898-8605 • Email: USPcustomerservice@mii.com