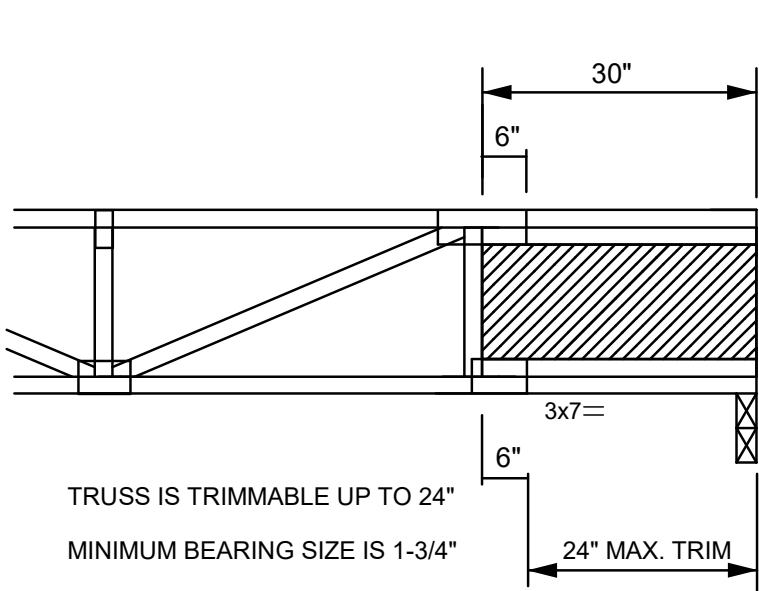
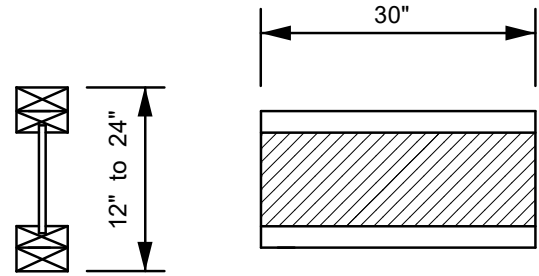




SEE THE MiTek TRUSS DESIGN
REFERENCING THIS DETAIL
FOR ADDITIONAL DESIGN INFORMATION



9" to 21"
PRE-FABRICATED
WOOD "I - JOIST "
PLATED IN PLANE OF TRUSS



WOOD "I - JOIST " MINIMUM REQUIREMENTS			
FLANGE MUST MATCH TRUSS CHORDS IN BOTH SIZE AND SPECIES			
1-3/4" REACTION LIMIT WITHOUT WEB STIFFENER MUST BE = TO OR > THAN REACTIONS SHOWN			
SP	FLANGE Ft	3x2 = 1066 psi	4x2 = 738 psi
SPF	FLANGE Ft	3x2 = 893 psi	4x2 = 618 psi

MAX REACTION		
DEPTH	SP	SPF
12"	1033 lbs	865 lbs
13"	1171 lbs	980 lbs
14"	1309 lbs	1096 lbs
15"	1320 lbs	1211 lbs
16" - 24"	1320 lbs	1320 lbs