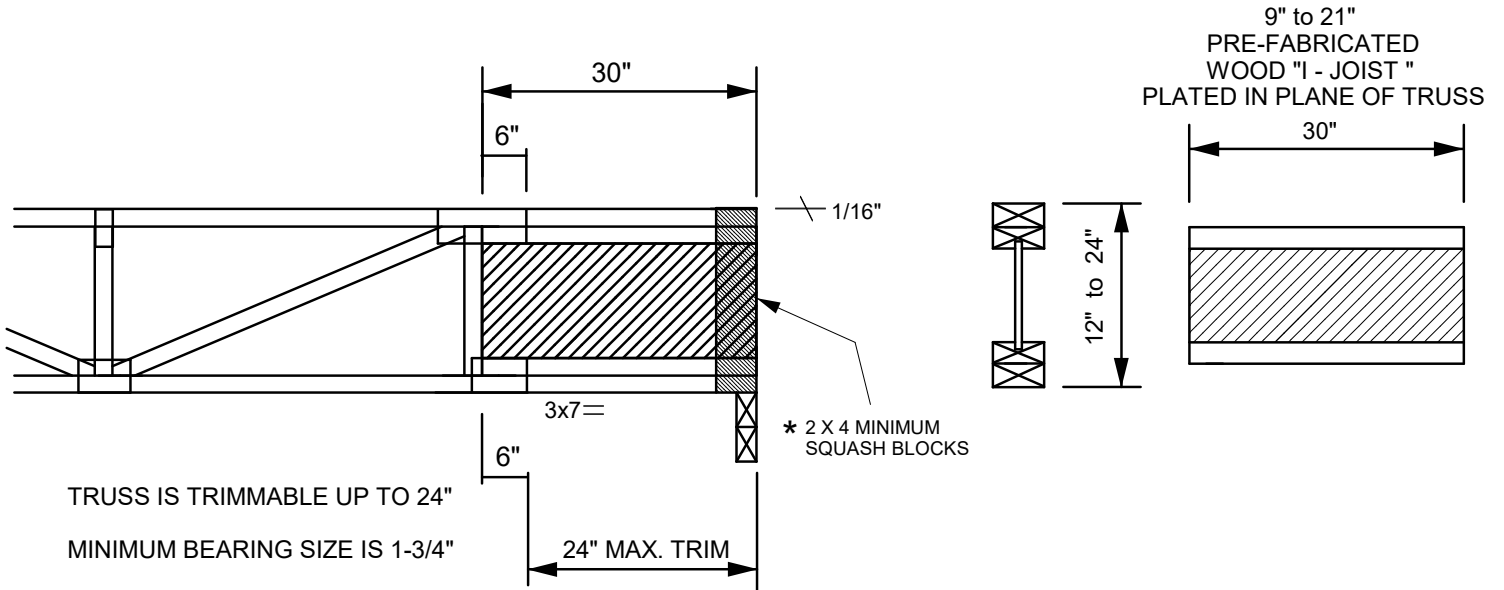




SEE THE MiTek TRUSS DESIGN REFERENCING THIS DETAIL FOR ADDITIONAL DESIGN INFORMATION



MAX REACTION		
DEPTH	SP	SPF
12"	1033 lbs	865 lbs
13"	1171 lbs	980 lbs
14"	1309 lbs	1096 lbs
15"	1320 lbs	1211 lbs
16" - 24"	1320 lbs	1320 lbs

WOOD "I - JOIST " MINIMUM REQUIREMENTS			
FLANGE MUST MATCH TRUSS CHORDS IN BOTH SIZE AND SPECIES			
1-3/4" REACTION LIMIT WITHOUT WEB STIFFENER MUST BE = TO OR > THAN REACTIONS SHOWN			
SP	FLANGE Ft	3x2 = 1066 psi	4x2 = 738 psi
SPF	FLANGE Ft	3x2 = 893 psi	4x2 = 618 psi

\* SQUASH BLOCKS REQUIRED WHEN WALL LOADS FROM ABOVE ARE PRESENT. SQUASH BLOCKS ARE TO BE 1/16" TALLER THAN TRUSS. ATTACH SQUASH BLOCKS TO EACH FACE OF TRUSS WITH THREE 10d (0.131" X 3") NAILS IN EACH END. MAXIMUM WALL LOAD IS 7612 LBS.