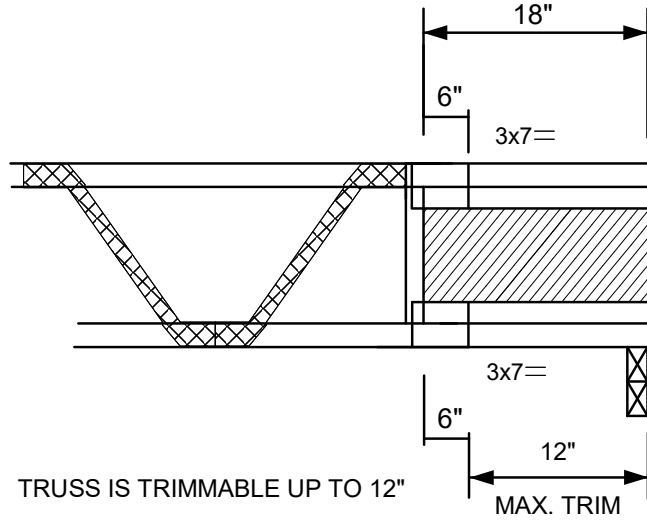


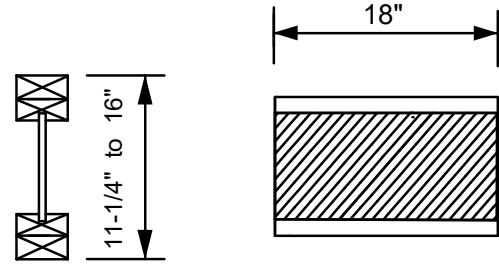


SEE THE MiTek TRUSS DESIGN  
REFERENCING THIS DETAIL  
FOR ADDITIONAL DESIGN INFORMATION



TRUSS IS TRIMMABLE UP TO 12"  
MINIMUM BEARING SIZE IS 1-3/4"  
MAX REACTION = 1320 lbs

8-1/4" to 13"  
PRE-FABRICATED  
WOOD "I - JOIST "  
PLATED IN PLANE OF TRUSS



|   |               |               |
|---|---------------|---------------|
| WOOD "I - JOIST " MINIMUM REQUIREMENTS  |               |               |
| FLANGE TO MATCH TRUSS CHORD SIZE  |               |               |
| 1-3/4" REACTION LIMIT WITHOUT WEB STIFFENER<br>MUST BE = TO OR > THAN REACTIONS SHOWN |               |               |
| FLANGE Ft   | 3x2 = 818 psi | 4x2 = 566 psi |