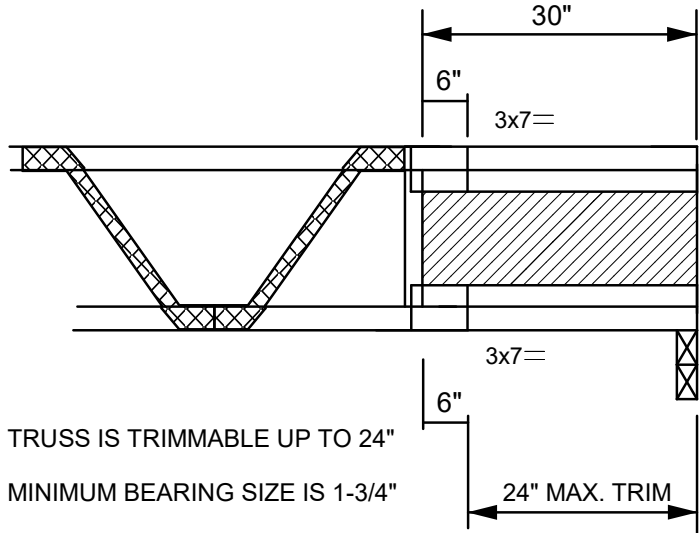
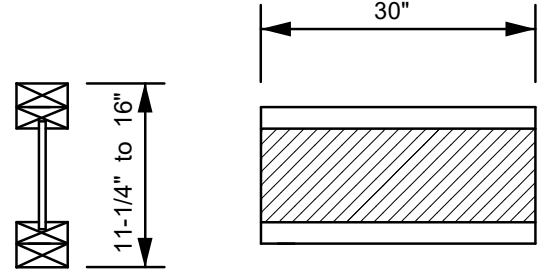




SEE THE MiTek TRUSS DESIGN  
REFERENCING THIS DETAIL  
FOR ADDITIONAL DESIGN INFORMATION



8-1/4" to 13"  
PRE-FABRICATED  
WOOD "I - JOIST "  
PLATED IN PLANE OF TRUSS



WOOD "I - JOIST " MINIMUM REQUIREMENTS			
FLANGE MUST MATCH TRUSS CHORDS IN BOTH SIZE AND SPECIES			
1-3/4" REACTION LIMIT WITHOUT WEB STIFFENER MUST BE = TO OR > THAN REACTIONS SHOWN			
SP	FLANGE	Ft	3x2 = 1066 psi    4x2 = 738 psi
SPF	FLANGE	Ft	3x2 = 890 psi    4x2 = 615 psi

TRUSS IS TRIMMABLE UP TO 24"  
MINIMUM BEARING SIZE IS 1-3/4"

MAX REACTION		
DEPTH	SP	SPF
11-1/4"	930 lbs	778 lbs
11-7/8"	1016 lbs	850 lbs
12-3/4"	1136 lbs	951 lbs
14"	1309 lbs	1096 lbs
16"	1320 lbs	1320 lbs