

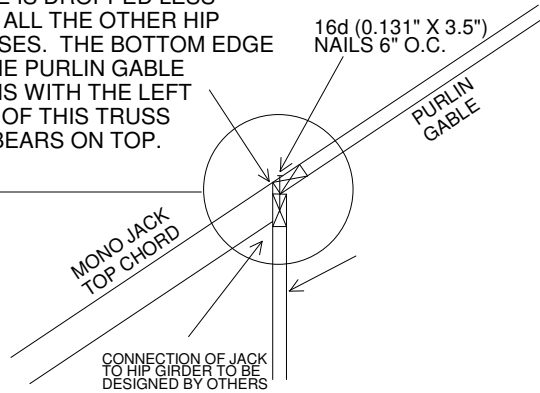
MiTek USA, Inc.



A MiTek Affiliate

THE TOP OF THE HIP GIRDER TRUSS AT THE BASE OF THE PURLIN GABLE IS DROPPED LESS THAN ALL THE OTHER HIP TRUSSES. THE BOTTOM EDGE OF THE PURLIN GABLE ALIGNS WITH THE LEFT FACE OF THIS TRUSS AND BEARS ON TOP.

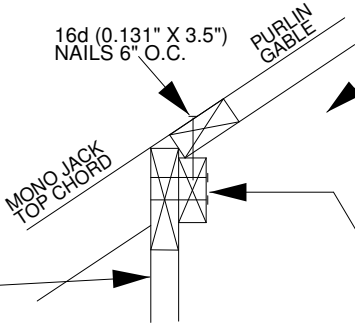
16d (0.131" X 3.5") NAILS 6" O.C.



DETAIL #1

ALTERNATE DETAIL

16d (0.131" X 3.5") NAILS 6" O.C.



ATTACH 2x LEDGER TO FLAT TOP CHORD WITH 2 ROWS OF 10d (0.131" X 3") NAILS SPACED 9" O.C.

HIP GIRDER

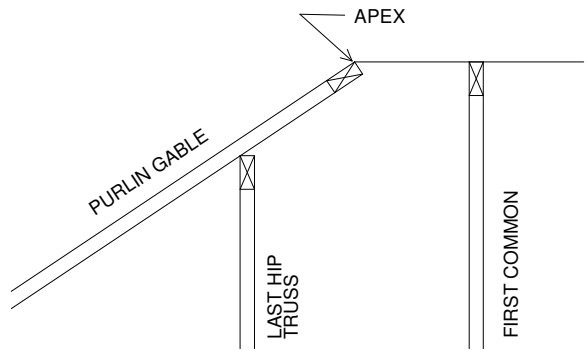
STEPDOWN HIP TRUSSES

PURLIN GABLE

ON ROOF SLOPES OF 2/12 TO 10/12 ATTACH PURLIN GABLE WITH (2) 16d (0.131" X 3.5") NAILS. THESE NAILS MUST ACHIEVE A 2 INCH MINIMUM PENETRATION INTO THE TRUSS TOP CHORD. ALL NAILING SHALL BE DONE IN ACCORDANCE TO APPLICABLE CODES AND STANDARD BUILDING PRACTICES.

DETAIL #2

APEX



DETAIL #3

THE PURLIN GABLE DOES NOT ALIGN WITH THE END OF THE FLAT TOP CHORD SECTION.

ROOF SHEATHING

ROOF SHEATHING

PURLIN GABLE

FLAT TOP CHORD PORTION OF THE LOWER TRUSS

TRUSS TOP CHORD

DETAIL #4