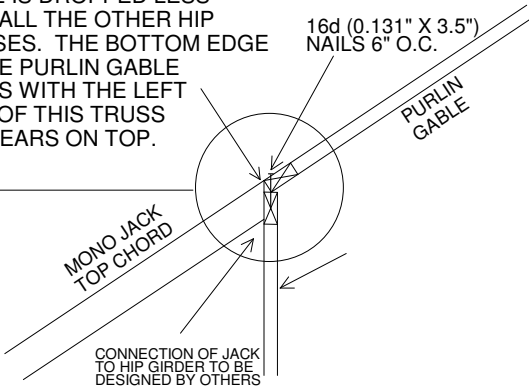


THE TOP OF THE HIP GIRDER TRUSS AT THE BASE OF THE PURLIN GABLE IS DROPPED LESS THAN ALL THE OTHER HIP TRUSSES. THE BOTTOM EDGE OF THE PURLIN GABLE ALIGNS WITH THE LEFT FACE OF THIS TRUSS AND BEARS ON TOP.

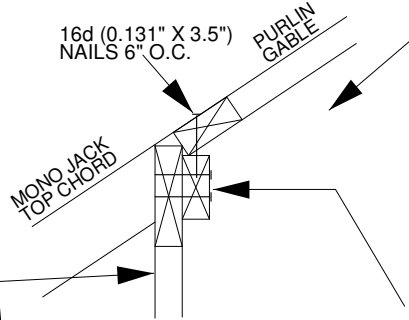
16d (0.131" X 3.5") NAILS 6" O.C.



DETAIL #1

ALTERNATE DETAIL

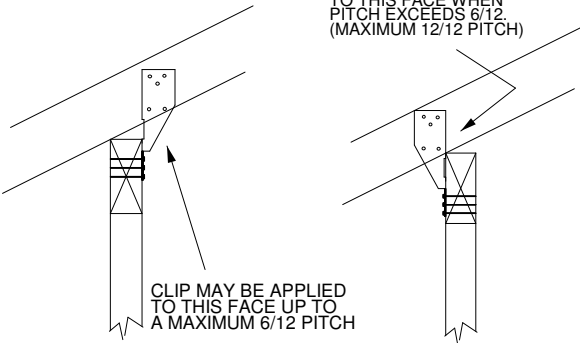
16d (0.131" X 3.5") NAILS 6" O.C.



ATTACH 2x LEDGER TO FLAT TOP CHORD WITH 2 ROWS OF 10d (0.131" X 3") NAILS SPACED 9" O.C.

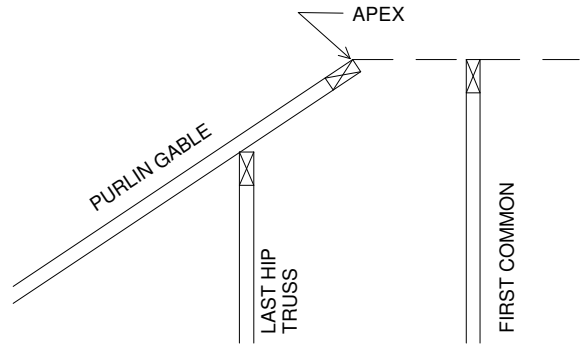
HIP GIRDER

CLIP MUST BE APPLIED TO THIS FACE WHEN PITCH EXCEEDS 6/12. (MAXIMUM 12/12 PITCH)



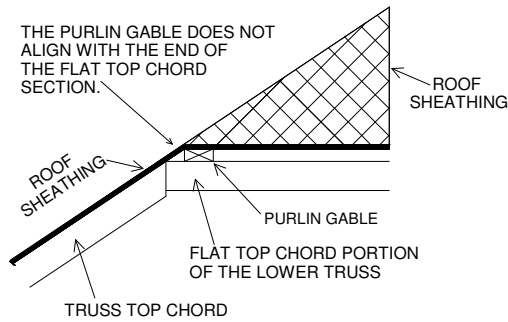
DETAIL #2

APEX



DETAIL #3

THE PURLIN GABLE DOES NOT ALIGN WITH THE END OF THE FLAT TOP CHORD SECTION.



DETAIL #4