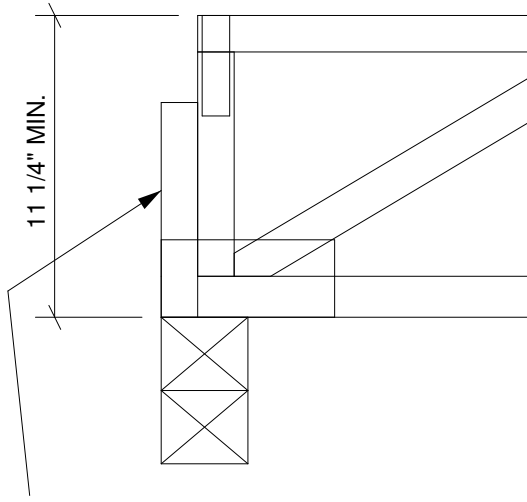
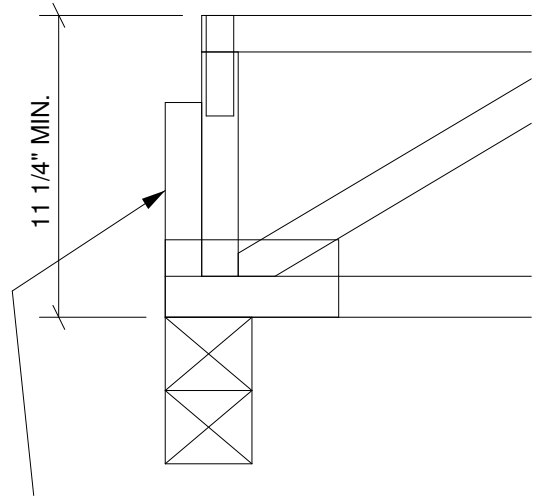


MiTek USA, Inc.



FASTEN RIBBON BLOCK TO END VERTICAL WITH TWO ROWS OF 10d (0.120" X 3") NAILS SPACED 4" O.C. (USE THREE NAILS MINIMUM)



FASTEN RIBBON BLOCK TO END VERTICAL WITH TWO ROWS OF 10d (0.120" X 3") NAILS SPACED 4" O.C. (USE THREE NAILS MINIMUM)