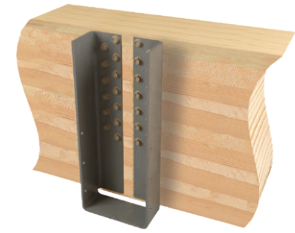


Specialty Options Chart

– refer to Specialty Options pages 320-321 for additional details

Option	Skewed ^{1,3}	Sloped Seat ²	Sloped / Skewed ^{1,2}	Inverted Flange
Range	1° to 50°	1° to 45°	See Sloped Seat and Skewed	Not available in widths less than 4-1/2"
Allowable Loads	100% of table load. 75% of uplift load on skewes greater than 15°.	100% of table load	80% of table load 75% of uplift load on skewes greater than 15°.	100% of table load. 65% of table load when fastening into the support members end grain.
Ordering	Add <i>SK</i> , angle required, right (<i>R</i>) or left (<i>L</i>), and square cut (<i>SQ</i>) or bevel cut (<i>BV</i>) to product number. Ex. GHF31900_SK45R_BV	Add <i>SL</i> , slope required, and up (<i>U</i>) or down (<i>D</i>), to product number. Ex. GHF31900_SL30D	See Sloped Seat and Skewed. Ex. GHF31900_SK45R_BV_SL30D	Add <i>IF</i> to product number. Ex. GHF51135_IF



Typical GHF51135IF inverted flange installation

- 1) Skewed hangers with skewes greater than 15° may have all joist nailing on outside flange.
- 2) Sloped or sloped / skewed hangers with slopes greater than 15° may have additional joist nails.
- 3) Skewed hangers typically require a bevel cut however, a square cut option may be available as a custom when requested.

KEGQ Glulam Beam Hangers

MiTék's WS structural wood screw fastening, heavy steel construction, and a continuous top flange allow the KEGQ products to have high load capacities.

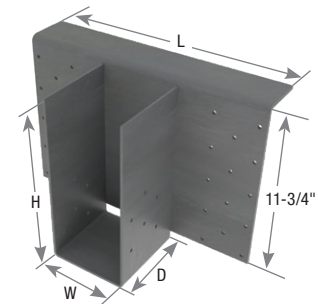
Materials: See chart
Finish: Primer
Codes: IBC, FL, LA

Installation:

- Install with MiTék's WS structural wood screws.
- MiTék's WS3 structural wood screws, 1/4" dia. x 3" long, are supplied with KEGQ hangers.
- **Minimum header height (H) is 11-7/8".**
- Beam height dimension (H) must be specified when ordering.



Typical KEGQ550 installation



KEGQ

Joist / Purlin Size	MiTék USP Stock No.	Ref. No.	Steel Ga.		Dimensions (in)				Fastener Schedule ³				DF/SP Allowable Loads (Lbs.)				S-P-F Allowable Loads (Lbs.)				Code Ref.
			Top Flange	U-Strap	W	H ²	D	L	Header		Joist		Download		Uplift ¹	Download		Uplift ¹			
									Qty	Type	Qty	Type	100%	115%	125%	160%	100%	115%	125%	160%	
3-1/2	KEGQ362	EGQ3.62-SDS3	3	7	3-5/8	specify	6	18	28	WS3	12	WS3	17265	17265	17265	4695	13005	13615	13795	3750	IBC, FL, LA
5-1/4	KEGQ550	EGQ5.25-SDS3	3	7	5-1/2	specify	6	18	28	WS3	12	WS3	17265	17265	17265	7430	13720	13720	13720	6525	
7	KEGQ725	EGQ7.25-SDS3	3	7	7-1/4	specify	6	18	28	WS3	12	WS3	17265	17265	17265	7430	13680	13680	13680	6525	

- 1) Uplift loads have been increased 60% for wind and seismic loads; no further increase shall be permitted.
 - 2) "Specify" denotes the required supported beam height that must be specified at the time of ordering, with 11" being the minimum.
 - 3) MiTék's WS3 structural wood screws are 1/4" dia. x 3" long and are included with KEGQ hangers.
- New products or updated product information are designated in **blue font**.

Bolt-only fastening, heavy steel construction, and a continuous top flange allow the KLEG, KMEG, and KEG products to have high load capacities.

KLEG – (4) bolt light-duty hanger.

KMEG – (6) bolt medium-duty hanger.

KEG – (8) bolt heavy-duty hanger.

Materials: See chart

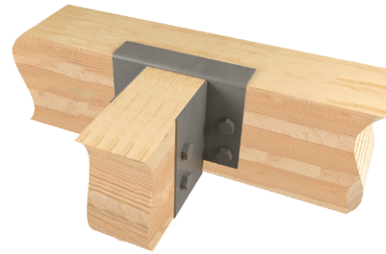
Finish: Primer

Options: See Specialty Options Chart

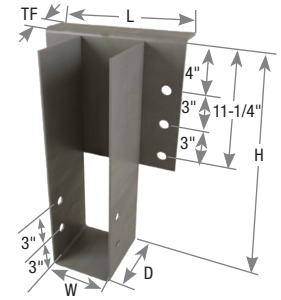
Codes: IBC, FL, LA

Installation:

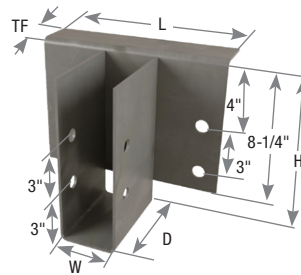
- Use all specified fasteners. See Product Notes, page 18.
- **Minimum header height is 10" for the KLEG; 13" for the KMEG; 20" for the KEG.**
- Supported beam height dimension (H) must be specified when ordering.



Typical KLEG5 installation



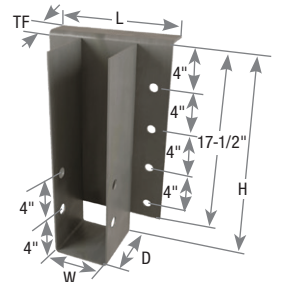
KMEG5



KLEG3



KLEG without top flange



KEG5

Beam Width (in)	MiTek USP Stock No.	Ref. No.	Steel Ga.		Dimensions (in)					Bolt Schedule				Allowable Loads (Lbs.)					Code Ref.
			Top Flange	U-Strap	W	H ³	D	TF	L	Header		Joist		With Top Flange ¹		Without Top Flange ¹		Uplift 160%	
										Qty	Dia (in)	Qty	Dia (in)	100%	125%	100%	125%		
3-1/8	KLEG3	LEG3	7	7	3-1/4	specify	6	2-1/2	12	4	3/4	2	3/4	11980	12165	3580	4470	3845	IBC, FL, LA
5-1/8	KLEG5	LEG5	7	7	5-1/4	specify	6	2-1/2	12	4	3/4	2	3/4	11980	12165	3580	4470	4690	
	KMEG5	MEG5	7	7	5-1/4	specify	6	2-1/2	12	6	3/4	2	3/4	12635	12635	5345	6685	4690	
6-3/4	KEG5	EG5	3	7	5-1/4	specify	6	2-1/2	12	8	1	2	1	17615	19920	9215	11520	7305	
	KLEG7	LEG7	7	7	6-7/8	specify	6	2-1/2	12	4	3/4	2	3/4	11980	12165	3580	4470	4690	
	KMEG7	MEG7	7	7	6-7/8	specify	6	2-1/2	12	6	3/4	2	3/4	12635	12635	5345	6685	4690	
8-3/4	KEG7	EG7	3	7	6-7/8	specify	6	2-1/2	13-1/2	8	1	2	1	18695	21005	9245	11555	9275	
	KEG9	EG9	3	7	8-7/8	specify	6	2-1/2	15-1/2	8	1	2	1	20125	21145	9275	11595	9305	
10-3/4	KEG11	--	3	7	10-7/8	specify	6	2-1/2	17-1/2	8	1	2	1	21145	21145	9295	11620	9325	

1) Allowable loads are for a supporting member with a width of 5-1/2", and 560 psi perpendicular to grain loading in single shear.
 2) Uplift loads have been increased 60% for wind and seismic loads; no further increase shall be permitted.
 3) "Specify" denotes the required supported beam height that must be specified at the time of ordering, with 12" being the minimum.
 New products or updated product information are designated in **blue font**.

Specialty Options Chart

– refer to Specialty Options pages 320 and 322-323 for additional details

Option	Skewed ³	Sloped Seat	Top Flange Offset ^{1,2}
Range	1° to 45°	1° to 45°	--
Allowable Loads	KLEG – 10,000-lb Max KMEG – 10,000-lb Max KEG – 14,250-lb Max	KLEG – 9,665 lbs. Max KMEG – 9,665 lbs. Max KEG – 9,665 lbs. Max	KLEG – 5,665-lb Max KLEG – 9" Min Height KMEG – 5665 lbs. Max KMEG – 11" Min Height
Ordering	Add <i>SK</i> , angle required, right (<i>R</i>) or left (<i>L</i>), and square cut (<i>SQ</i>) to product number. Ex. KLEG3_H=11_SK45R_SQ	Add <i>SL</i> , slope required, and up (<i>U</i>) or down (<i>D</i>), to product number. Ex. KLEG3_H=11_SL30D	Add <i>OS</i> , and right (<i>R</i>) or left (<i>L</i>), to product number. Ex. KLEG3_H=11_OLS

1) Top flange offset hangers may not be skewed.
 2) Top flange offset option is not available for KEG models.
 3) Carried member must have square cut end on skewed option.
 Refer to Typical HLBH hanger, skewed, left shown, square cut illustration on page 322.

These hangers cover medium-to-heavy glulam beam and purlin applications.

KHHB – Medium capacity hanger

KGB – Medium-to-heavy capacity hanger

KHGB – Heavy capacity hanger

Materials: 7 gauge

Finish: Primer

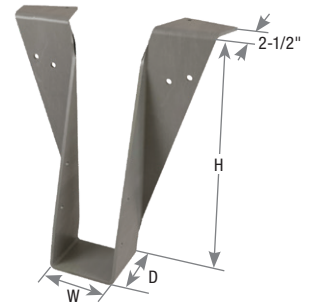
Codes: IBC, FL, LA

Installation:

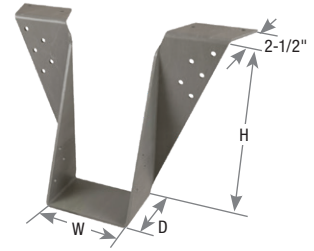
- Use all specified fasteners. See Product Notes, page 18.
- MiTek's WS3 structural wood screws are supplied with hangers.
- Beam height dimension (H) must be specified when ordering.
- **Minimum height (H) is 7-1/2".**
- See welded installation chart on page 325.



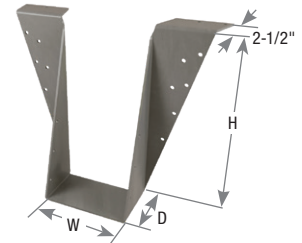
Typical KHHB installation



KHHB



KGB



KHGB

Beam Width (in)	MiTek USP Stock No.	Ref. No.	Dimensions (in) ²			Fastener Schedule ⁴					Allowable Loads (Lbs.)				Code Ref.
			W	H	D	Header ³			Joist		F _C = 625 psi			Uplift ¹ 160%	
						Top Qty	Face Qty	Type	Qty	Type	Floor 100%	Roof			
												115%	125%		
3-1/8	KHHB3	--	3-1/4	specify	3	4	6	WS3	6	WS3	6480	6480	6480	2215	IBC, FL, LA
	KGB3	--			3-1/2	4	10	WS3	6	WS3	6480	6480	6480	2215	
5-1/8	KHHB5	--	5-1/4	specify	3	4	6	WS3	6	WS3	6480	6480	6480	2215	
	KGB5	--			3-1/2	4	10	WS3	6	WS3	6480	6480	6480	2215	
	KHGB5	--			4	4	12	WS3	6	WS3	6480	6480	6480	2215	
6-3/4	KHHB7	--	6-7/8	specify	3	4	6	WS3	6	WS3	6480	6480	6480	2215	
	KGB7	--			3-1/2	4	10	WS3	6	WS3	6480	6480	6480	2215	
	KHGB7	--			4	4	12	WS3	6	WS3	6480	6480	6480	2215	

1) Uplift loads have been increased 60% for wind or seismic loads; no further increase shall be permitted.
 2) "Specify" denotes the required supported beam height must be specified at the time of ordering.
 3) Supporting header shall be no less than 3" thick.
 4) MiTek's WS3 structural wood screws are 1/4" dia. x 3" long and are included with hangers.

These heavy beam hangers are designed for use with glulam and timber beams. The continuous top mount flange offers high load capacity with minimal fastening.

KGLT – Medium capacity hanger

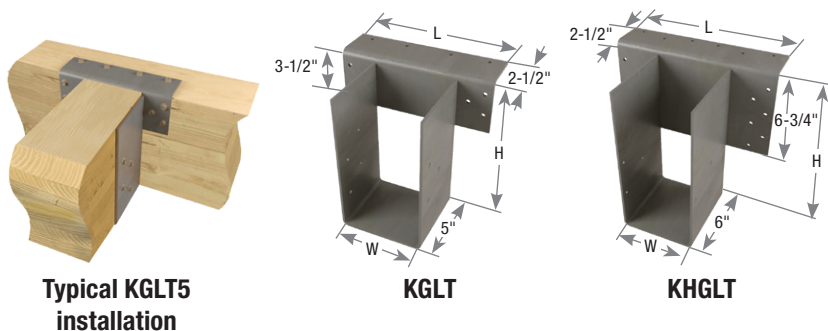
KHGLT – Heavy capacity hanger

Materials: See chart

Finish: Primer

Options: See Nailer Options chart below and Specialty Options Chart on page 238

Codes: IBC, FL, LA



Installation:

- Use all specified fasteners. See Product Notes, page 18.
- Beam height dimension (H) must be specified when ordering.
- See welded installation chart on page 325.

Beam Width (in)	MiTek USP Stock No.	Ref. No.	Steel Gauge		Dimensions (in)			Fastener Schedule ⁴					Allowable Loads (Lbs.) ²				Code Ref.
			Top Flange	U-Strap	W	H ³	L	Header			Joist		Floor			Uplift ¹	
								Top Qty	Face Qty	Type	Qty	Type	100% ³	115%	125%		
3-1/8	KGLT3	--	3	7	3-1/4	specify	10	4	6	WS3	8	WS3	10555	10965	11055	1935	IBC, FL, LA
	KHGLT3	HGLT3					12	6	12	WS3	6	WS3	12495	12495	12495	1935	
3-1/2	KGLT4	--	3	7	3-5/8	specify	10	4	6	WS3	8	WS3	10555	10965	11055	1935	
	KHGLT4	HGLT4, HGLTV4					12	6	12	WS3	6	WS3	12495	12495	12495	1935	
5-1/8	KGLT5	--	3	7	5-1/4	specify	10	4	6	WS3	8	WS3	10555	10965	11055	1935	
	KHGLT5	HGLT5, HGLTV5					12	6	12	WS3	6	WS3	12495	12495	12495	1935	
5-5/16	KHGLT537	HGLTV5.37	3	7	5-3/8	specify	12	6	12	WS3	6	WS3	12495	12495	12495	1935	
5-1/2	KGLT6	--	3	7	5-5/8	specify	12	4	6	WS3	8	WS3	10555	10965	11055	1935	
	KHGLT6	HGLT6, HGLTV6					12	6	12	WS3	6	WS3	12495	12495	12495	1935	
6-3/4	KGLT7	--	3	7	6-7/8	specify	12	4	6	WS3	8	WS3	10555	10965	11055	1935	
	KHGLT7	HGLT7, HGLTV7					12	6	12	WS3	6	WS3	12495	12495	12495	1935	
8-3/4	KGLT9	--	3	7	8-7/8	specify	14	4	6	WS3	8	WS3	10555	10965	11055	1935	
	KHGLT9	HGLT9					14	6	12	WS3	6	WS3	12495	12495	12495	1935	
10-3/4	KHGLT11	--	3	7	10-7/8	specify	16	6	12	WS3	6	WS3	12495	12495	12495	1935	

- 1) Uplift loads have been increased 60% for wind or seismic loads; no further increase shall be permitted.
 - 2) Allowable Loads are based on 625 psi perpendicular to grain loading.
 - 3) "Specify" denotes the required supported beam height that must be specified at time of ordering, with 7-1/2" being the minimum.
 - 4) MiTek's WS3 structural wood screws are 1/4" dia. x 3" long and are included with the hangers.
- New products or updated product information are designated in **blue font**.

KGLT Nailer Options

– chart represents maximum allowable loads for hangers used on wood nailers. Reference page 203.

MiTek USP Series	Nailer Size	Fastener Schedule ^{2,3}					DF/SP		SPF	
		Nailer			Joist		Allowable Loads (Lbs.) ¹		Allowable Loads (Lbs.) ¹	
		Top Qty	Face Qty	Type	Qty	Type	Download 100%	Uplift 160%	Download 100%	Uplift 160%
KGLT	2x	4	--	WS15	8	WS15	5210	--	4375	--
	3x	4	2	WS15	8	WS15	6655	--	5590	--
	(2) 2x	4	4	WS3	8	WS3	6430	--	5400	--
	4x	4	6	WS3	8	WS3	6040	1925	5075	1615

- 1) Listed loads shall not be increased.
 - 2) MiTek's WS15 structural wood screws are 1/4" dia. x 1-1/2" long and are not included with hangers.
 - 3) MiTek's WS3 structural wood screws are 1/4" dia. x 3" long and are included with hangers.
- New products or updated product information are designated in **blue font**.

Continued on next page

Specialty Options Chart

– refer to Specialty Options pages 320 and 322-323 for additional details

Option	Skewed ^{1,3}	Sloped Seat ^{2,3}	Sloped / Skewed ^{1,2,3}	Sloped Top Flange ⁴	Top Flange Offset	Saddle
Range	1° to 50°	1° to 45°	See Sloped Seat and Skewed	0° to 45°	--	--
Allowable Loads	50% of uplift load on skew greater than 15°	KGLT – 4,110-lb Max KHGLT – 7,000-lb Max	50% of uplift load on skew greater than 15°	100% of table load	60% of table load for KGLT. 45% of table load for KHGLT.	100% of table load per side
Ordering	Add <i>SK</i> , angle required, right (<i>R</i>) or left (<i>L</i>), and square cut (<i>SQ</i>) or bevel cut (<i>BI</i>) to product number. Ex. KGLT3_H=16_SK45R_BV	Add <i>SL</i> , slope required, and up (<i>U</i>) or down (<i>D</i>), to product number. Ex. KGLT3_H=16_SL30D	See Sloped Seat and Skewed. Ex. KGLT3_H=16_SK45R_BV_SL30D	Add <i>SF</i> , angle required and right (<i>R</i>) or left (<i>L</i>), to product number. Ex. KGLT3_H=16_SF30L	Add <i>OS</i> , and right (<i>R</i>) or left (<i>L</i>), to product number. Ex. KGLT3_H=16_OSL	Add <i>SA</i> , and saddle width required to product number. Ex. KGLT3_H=16_SA=5-1/2"

- 1) Skewed hangers with skews greater than 15° may have all joist nailing on outside flange.
- 2) Sloped or sloped / skewed hangers with slopes greater than 15° may have additional joist nails.
- 3) Skewed hangers typically require a bevel cut however, a square cut option may be available as a custom when requested.
- 4) Sloped top flanges with slopes greater than 15° may have additional header nails.

KGLS / KGLST / KHGLS / KHGLST Glulam Saddle Hangers

KGLS – Saddle hanger

KGLST – Saddle hanger with seismic straps

KHGLS – Heavier version of KGLS

KHGLST – Heavier version of KGLST

Materials: Top flange - 3 gauge; Stirrup - 7 gauge

Finish: Primer

Options: See KGLS / KHGLS Specialty Options Chart on page 239

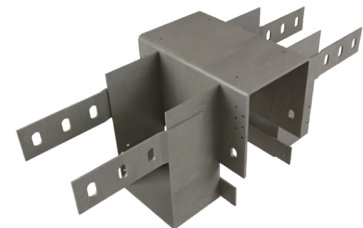
Codes: IBC, FL, LA

Installation:

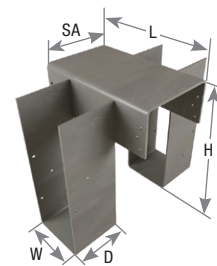
- Use all specified fasteners. See Product Notes, page 18.
- Loads and nail schedule apply to each saddle hanger stirrup.
- **Minimum header height is 8-1/2" for the KGLS; 8-1/2" for the KGLST; 10-1/2" for the KHGLS, and 10-1/2" for the KHGLST.**
- Beam height dimension (H) must be specified when ordering.
- **KGLST** and **KHGLST** models include seismic straps which must be installed with (3) 3/4" thru-bolts in each supported member and (2) 3/4" thru-bolts into the supporting beams.
- See welded installation chart on page 325.



Typical KHGLST installation



KHGLST



KGLS

Copyright © 2020 MiTek Industries, Inc. All Rights Reserved

Continued on next page

Supported Glulam Beam Size (in)	MiTek USP Stock No.	Ref. No.	Dimensions (in) ⁴					Fastener Schedule								Allowable Loads (Lbs.) ¹					Code Ref.
			W	H ⁴	D	L	SA	Header				Joist				F _{Cx} = 560 psi			Uplift 160%	Tension 160%	
								Wood Screws ^{1,3}		Bolts		Wood Screws ^{1,3}		Bolts		Floor	Roof				
								Qty	Type	Qty	Dia (in)	Qty	Type	Qty	Dia (in)	100%	115%	125%			
3-1/8	KGLS35	GLS3-5	3-1/4	specify	5	6	5-1/4	6	WS3	--	--	6	WS3	--	--	11070	11420	11650	2320	--	IBC, FL, LA
	KGLST35	--	3-1/4		6-1/2	10	5-1/4	6	WS3	2	3/4	6	WS3	3	3/4	13695	14045	14275	2320	15310	
	KGLS37	GLS3-7	3-1/4		5	6	6-7/8	6	WS3	--	--	6	WS3	--	--	11070	11420	11650	3715	--	
	KGLST37	--	3-1/4		6-1/2	10	6-7/8	6	WS3	2	3/4	6	WS3	3	3/4	13695	14045	14275	3715	15310	
	KGLS39	GLS3-9	3-1/4		5	6	8-7/8	6	WS3	--	--	6	WS3	--	--	11070	11420	11650	3715	--	
	KGLST39	--	3-1/4		6-1/2	10	8-7/8	6	WS3	2	3/4	6	WS3	3	3/4	13695	14045	14275	3715	15310	
5-1/8	KGLS55	GLS5-5	5-1/4	specify	5	9	5-1/4	6	WS3	--	--	6	WS3	--	--	15655	16065	16340	3715	--	
	KGLST55	--	5-1/4		6-1/2	12	5-1/4	6	WS3	2	3/4	6	WS3	3	3/4	19960	20370	20645	3715	15310	
	KGLS57	GLS5-7	5-1/4		5	9	6-7/8	6	WS3	--	--	6	WS3	--	--	16670	17020	17250	3715	--	
	KGLST57	--	5-1/4		6-1/2	12	6-7/8	6	WS3	2	3/4	6	WS3	3	3/4	20975	21325	21555	3715	15310	
	KHGLS5	HGLS5	5-1/4		6-1/2	12	specify	14	WS3	--	--	8	WS3	--	--	21750	22215	22525	4955	--	
	KHGLST5	--	5-1/4		6	12	specify	14	WS3	2	3/4	8	WS3	3	3/4	20315	20780	21090	4955	15310	
6-3/4	KGLS77	GLS7-7	6-7/8	specify	5	12	6-7/8	6	WS3	--	--	6	WS3	--	--	21220	21570	21800	3715	--	
	KGLST77	--	6-7/8		6-1/2	12	6-7/8	6	WS3	2	3/4	6	WS3	3	3/4	25420	25830	26105	3715	15310	
	KGLS79	GLS7-9	6-7/8		5	12	8-7/8	6	WS3	--	--	6	WS3	--	--	21220	21570	21800	3715	--	
	KGLST79	--	6-7/8		6-1/2	12	8-7/8	6	WS3	2	3/4	6	WS3	3	3/4	26890	27240	27470	3715	15310	
	KHGLS7	HGLS7	6-7/8		6	12	specify	14	WS3	--	--	8	WS3	--	--	23195	24155	24795	4955	--	
	KHGLST7	--	6-7/8		6-1/2	14	specify	14	WS3	2	3/4	8	WS3	3	3/4	25995	26955	27595	4955	15310	
8-3/4	KHGLS9	HGLS9	8-7/8	specify	6	12	specify	14	WS3	--	--	8	WS3	--	--	23195	24155	24795	4955	--	
	KHGLST9	--	8-7/8		6-1/2	16	specify	14	WS3	2	3/4	8	WS3	3	3/4	28975	29755	30395	4955	15310	

- 1) Allowable loads and fastener schedules apply to each side of the saddled hanger.
- 2) Minimum header height is 8-1/2" for the KGLS and KGLST; 10-1/2" for the KHGLS and KHGLST.
- 3) WS3 structural wood screws are 1/4" dia. x 3" long and are included with hangers.
- 4) Hangers with seismic straps may require a minimum joist depth. Consult MiTek for additional information.

KGLS / KHGLS Specialty Options Chart – refer to Specialty Options pages 320 and 322-323 for additional details

Option	Skewed ^{1,3}	Sloped Seat ²	Sloped / Skewed ^{1,2}	Sloped Top Flange ⁴	Top Flange Offset	Saddle
Range	1° to 50°	1° to 45°	See Sloped Seat and Skewed	0° to 30°	May not be skewed	5" minimum saddle
Allowable Loads	KGLS – 6,500-lb Max KHGLS – 7,980-lb Max 50% of uplift load on skews greater than 15°.	KGLS – 6,500-lb Max KHGLS – 9,165-lb Max	KGLS – 5,500-lb Max KHGLS – may not be sloped / skewed.	100% of table load	50% of table load for KGLS. 45% of table load for KHGLS.	100% of table load per side
Ordering	Add <i>SK</i> , angle required, right (<i>R</i>) or left (<i>L</i>), and square cut (<i>SQ</i>) or bevel cut (<i>BV</i>) to product number. Ex. KGLS35H115_SK45R_BV	Add <i>SL</i> , slope required, and up (<i>U</i>) or down (<i>D</i>), to product number. Example: KGLS35H115_SL30D	See Sloped Seat and Skewed. Example: KGLS35H115_SK45R_BV_SL30D	Add <i>SF</i> , angle required, and right (<i>R</i>) or left (<i>L</i>), to product number. Example: KGLS35H115_SF30L	Add <i>OS</i> , and right (<i>R</i>) or left (<i>L</i>), to product number. Example: KGLS35H115_OSL	Add <i>S4</i> , and saddle width required to product number. Example: KGLS35H115_SA=5-1/2"

- 1) Skewed hangers with skews greater than 15° may have all joist fasteners on outside flange.
- 2) Sloped or sloped / skewed hangers with slopes greater than 15° may have additional joist nails.
- 3) Skewed hangers typically require a bevel cut however, a square cut option may be available as a custom when requested.
- 4) Sloped top flanges with greater than 15° may have additional header nails.