

LGU, MGU, and HGU's are high capacity girder to girder face mount connectors. Fastens with MiTek's WS structural wood screws for ease of installation. Fasteners are placed high on connector to permit the connection of a deep carried member to a shallower carrying member. Very useful where tops of beams must be flush.

**Materials:** LGU/MGU – 10 gauge; HGU – 7 gauge

**Finish:** G90 galvanizing

**Options:** See Specialty Options Chart

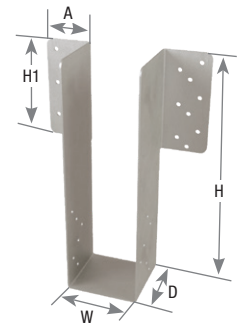
**Codes:** IBC, FL, LA

**Installation:**

- Use all specified fasteners. See Product Notes, page 18.
- Install with MiTek's WS structural wood screws supplied with connector.
- Beams comprised of multiple plies must be laminated to act as a single member.
- Multi-ply carrying beams may require additional connection of laminations at connector.
- Beam height dimension (H) must be specified when ordering.



Typical LGU, MGU, HGU installation



LGU, MGU, HGU

Beam Width (in)	MiTek USP Stock No.	Ref. No.	Steel Gauge	Dimensions (in)					Fastener Schedule <sup>3</sup>				DF/SP Allowable Loads (Lbs.)				S-P-F Allowable Loads (Lbs.)				Code Ref.
				W	H <sup>2</sup> (min)	H1	D	A	Header		Truss		Allowable Loads (Lbs.)				Allowable Loads (Lbs.)				
									Qty	Type	Qty	Type	100%	115%	125%	160%	100%	115%	125%	160%	
3-1/8	LGU325	LGU3.25-SDS	10	3-1/4	8	7-3/8	4-1/2	3-1/4	18	WS3	12	WS3	7135	7410	7410	<b>3975</b>	5960	5960	5960	<b>3195</b>	IBC, FL, LA
	LGU363	LGU3.63-SDS	10	3-5/8	8	7-3/8	4-1/2	3-1/4	18	WS3	12	WS3	7135	7410	7410	<b>3975</b>	5945	5945	5945	<b>3190</b>	
3-1/2	MGU363	MGU3.63-SDS	10	3-5/8	9-1/4	8-5/8	4-1/2	4	24	WS3	16	WS3	9515	10940	11890	<b>5060</b>	8355	9610	9705	<b>4085</b>	
	HGU363	HGU3.63-SDS	7	3-5/8	11	10-3/8	5-1/4	4-3/4	38	WS3	24	WS3	14705	14990	14990	7375	12175	12175	12175	5990	
5-1/8	LGU525	LGU5.25-SDS	10	5-1/4	8	7-3/8	4-1/2	3-1/4	18	WS3	12	WS3	7135	7410	7410	<b>3975</b>	5910	5910	5910	<b>3170</b>	
	MGU525	MGU5.25-SDS	10	5-1/4	9-1/4	8-5/8	4-1/2	4	24	WS3	16	WS3	9515	10940	11890	<b>5060</b>	8355	9610	9640	<b>4055</b>	
5-1/4	HGU525	HGU5.25-SDS	7	5-1/4	11	10-3/8	5-1/4	4-3/4	38	WS3	24	WS3	14705	14990	14990	7375	12070	12070	12070	5935	
	MGU550	MGU5.50-SDS	10	5-1/2	9-1/4	8-5/8	4-1/2	4	24	WS3	16	WS3	9515	10940	11890	<b>5060</b>	8355	9610	9635	<b>4055</b>	
5-1/2	HGU550	HGU5.50-SDS	7	5-1/2	11	10-3/8	5-1/4	4-3/4	38	WS3	24	WS3	14705	14990	14990	7375	12060	12060	12060	5930	
	MGU562	MGU5.62-SDS	10	5-5/8	9-1/4	8-5/8	4-1/2	4	24	WS3	16	WS3	9515	10940	11890	<b>5060</b>	8355	9610	9625	<b>4050</b>	
6-3/4	HGU562	HGU5.62-SDS	7	5-5/8	11	10-3/8	5-1/4	4-3/4	38	WS3	24	WS3	14705	14990	14990	7375	12050	12050	12050	5930	
	MGU700	MGU7.00-SDS	10	7	9-1/4	8-5/8	4-1/2	4	24	WS3	16	WS3	9515	10940	11890	<b>5060</b>	8355	9590	9590	<b>4035</b>	
7	HGU700	HGU7.00-SDS	7	7	11	10-3/8	5-1/4	4-3/4	38	WS3	24	WS3	14705	14990	14990	7375	12010	12010	12010	5910	
8-3/4	HGU725	HGU7.25-SDS	7	7-1/4	11	10-3/8	5-1/4	4-3/4	38	WS3	24	WS3	14705	14990	14990	7375	12000	12000	12000	5905	
8-3/4	HGU900	HGU9.00-SDS	7	9	11	10-3/8	5-1/4	4-3/4	38	WS3	24	WS3	14705	14990	14990	7375	11960	11960	11960	5885	

1) Uplift loads have been increased 60% for wind or seismic loads; no further increase shall be permitted.  
 2) H denotes minimum hanger height. Specify height when ordering.  
 3) MiTek's WS3 structural wood screws are 1/4" dia. x 3" long and are included with hangers.  
 New products or updated product information are designated in blue font.

**Specialty Options Chart**

– refer to Specialty Options pages 320-321 for additional details

Option	MiTek USP Series	Skewed <sup>1,4,5</sup>	Inverted Flange <sup>2,3</sup>
Range	LGU MGU HGU	1° to 45°	One Inverted Flange option available on some sizes. See footnotes 2 and 3.
Allowable Loads	LGU	55% of table value. 30% of uplift.	100% of table value
	MGU	65% of table value. 30% of uplift.	
	HGU	70% of table value. 30% of uplift.	
Ordering	LGU MGU HGU	Add <i>SK</i> , angle required, right ( <i>R</i> ) or left ( <i>L</i> ), and bevel cut ( <i>BV</i> ) to product number. Ex. LGU525_H=18_SK45R_BV	Add <i>IF</i> and right ( <i>R</i> ) or left ( <i>L</i> ) to product number. Ex. LGU525_H=18_IFR

- 1) Skewed hangers with skews greater than 15° may have all joist fasteners on outside flange.
- 2) One inverted-flange (IF) is available on the following sizes: LGU363, LGU525, MGU525, MGU550, MGU563, MGU700, HGU525, HGU550, HGU562, HGU700, HGU725, HGU900
- 3) The inverted flange option is not available on skewed LGU, MGU or HGU hangers.
- 4) Bevel cut required on skewed parts to meet table loads.
- 5) Square cut option may be available as a custom, contact MiTek.

# GHF Glulam Face Mount Hangers

# Glulam Beam Connectors

An architectural choice for exposed glulam purlin applications. The GHF features heavy load capacity and a multitude of optional designs for unusual applications. Header fasteners are positioned high and joist flange fasteners low for best design with glulam members.

**Materials:** See chart

**Finish:** Primer

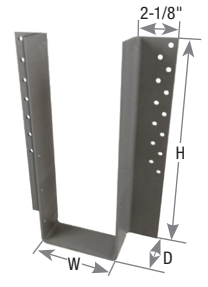
**Options:** See Specialty Options Chart on page 234

**Installation:**

- Use all specified fasteners. See Product Notes, page 18.
- MiTek's WS structural wood screws are supplied with GHF hangers.



Typical GHF51135 installation



GHF

Glulam Size (in)	MiTek USP Stock No.	Ref. No.	Steel Gauge	Dimensions (in)			Fastener Schedule <sup>2</sup>				DF/SP Allowable Loads (Lbs.) <sup>1</sup>				Code Ref.
				W	H	D	Header		Joist		Allowable Loads (Lbs.) <sup>1</sup>				
							Qty	Type	Qty	Type	Floor	Roof		Uplift <sup>3</sup>	
3-1/8 x 6	GHF31600	--	12	3-3/16	5-7/8	2-3/8	10	WS25	4	WS25	2740	2740	2740	1400	
3-1/8 x 7-1/2	GHF31750	--	12	3-3/16	7-3/8	2-3/8	12	WS25	4	WS25	3285	3285	3285	1400	
3-1/8 x 9	GHF31900	--	12	3-3/16	8-7/8	2-3/8	16	WS25	5	WS25	4380	4380	4380	1750	
3-1/8 x 10-1/2	GHF31105	--	12	3-3/16	10-3/8	2-3/8	20	WS25	6	WS25	5475	5475	5475	2100	
3-1/8 x 12	GHF31120	--	12	3-3/16	11-7/8	2-3/8	22	WS25	6	WS25	5800	5800	5800	2100	
3-1/8 x 13-1/2	GHF31135	--	12	3-3/16	13-3/8	2-3/4	24	WS25	6	WS25	5800	5800	5800	2100	
3-1/8 x 15	GHF31150	--	12	3-3/16	14-7/8	2-3/4	26	WS25	7	WS25	6730	6730	6730	2455	
3-1/8 x 16-1/2	GHF31165	--	12	3-3/16	16-3/8	2-3/4	28	WS25	9	WS25	7275	7275	7275	3155	
3-1/8 x 18	GHF31178	--	12	3-3/16	17-3/4	2-3/4	30	WS25	11	WS25	7825	7825	7825	3855	
3-1/4 x 9	GHF32900	--	12	3-5/16	8-7/8	2-3/8	16	WS25	5	WS25	4380	4380	4380	1750	
3-1/4 x 12	GHF32120	--	12	3-5/16	11-7/8	2-3/8	22	WS25	6	WS25	5800	5800	5800	2100	
5-1/8 x 6	GHF51600	--	12	5-3/16	5-7/8	2-3/8	10	WS3	4	WS3	2740	2740	2740	1400	
5-1/8 x 7-1/2	GHF51750	--	12	5-3/16	7-3/8	2-3/8	14	WS3	4	WS3	3835	3835	3835	1400	
5-1/8 x 9	GHF51900	--	12	5-3/16	8-7/8	2-3/8	18	WS3	5	WS3	4930	4930	4930	1750	
5-1/8 x 10-1/2	GHF51105	--	12	5-3/16	10-3/8	2-3/8	22	WS3	6	WS3	6025	6025	6025	2100	
5-1/8 x 12	GHF51120	--	12	5-3/16	11-7/8	2-3/8	24	WS3	6	WS3	6570	6570	6570	2100	
5-1/8 x 13-1/2	GHF51135	--	7	5-3/16	13-3/8	2-3/8	26	WS3	6	WS3	8125	8125	8125	2400	
5-1/8 x 15	GHF51150	--	7	5-3/16	14-7/8	2-3/4	28	WS3	7	WS3	8750	8750	8750	2800	
5-1/8 x 16-1/2	GHF51165	--	7	5-3/16	16-3/8	2-3/4	30	WS3	7	WS3	9375	9375	9375	2800	
5-1/8 x 18	GHF51178	--	7	5-3/16	17-3/4	2-3/4	32	WS3	8	WS3	10000	10000	10000	3200	--
5-1/8 x 19-1/2	GHF51192	--	7	5-3/16	19-1/8	2-3/4	34	WS3	8	WS3	10395	10395	10395	3200	
5-1/8 x 21	GHF51205	--	7	5-3/16	20-3/8	2-3/4	36	WS3	9	WS3	10705	10705	10705	3600	
5-1/8 x 24	GHF51233	--	7	5-3/16	23-1/4	2-3/4	40	WS3	11	WS3	11330	11330	11330	4400	
5-1/4 x 9	GHF52900	--	12	5-5/16	8-7/8	2-3/8	18	WS3	5	WS3	4930	4930	4930	1750	
5-1/4 x 12	GHF52120	--	12	5-5/16	11-7/8	2-3/8	24	WS3	6	WS3	6570	6570	6570	2100	
6-3/4 x 6	GHF67600	--	12	6-7/8	5-7/8	2-3/8	12	WS3	4	WS3	3285	3285	3285	1400	
6-3/4 x 7-1/2	GHF67750	--	12	6-7/8	7-3/8	2-3/8	16	WS3	5	WS3	4380	4380	4380	1750	
6-3/4 x 9	GHF67900	--	12	6-7/8	8-7/8	2-3/8	20	WS3	6	WS3	5475	5475	5475	2100	
6-3/4 x 10-1/2	GHF67105	--	12	6-7/8	10-3/8	2-3/8	24	WS3	8	WS3	6570	6570	6570	2805	
6-3/4 x 12	GHF67120	--	7	6-7/8	11-7/8	2-3/4	28	WS3	8	WS3	8750	8750	8750	3200	
6-3/4 x 13-1/2	GHF67135	--	7	6-7/8	13-3/8	2-3/4	30	WS3	8	WS3	9375	9375	9375	3200	
6-3/4 x 15	GHF67150	--	7	6-7/8	14-7/8	2-3/4	32	WS3	10	WS3	10000	10000	10000	4000	
6-3/4 x 16-1/2	GHF67165	--	7	6-7/8	16-3/8	2-3/4	34	WS3	10	WS3	10625	10625	10625	4000	
6-3/4 x 18	GHF67180	--	7	6-7/8	17-3/4	2-3/4	36	WS3	12	WS3	11250	11250	11250	4800	
6-3/4 x 19-1/2	GHF67195	--	7	6-7/8	19-1/8	3	40	WS3	14	WS3	12500	12500	12500	5600	
6-3/4 x 21	GHF67210	--	7	6-7/8	20-3/8	3	44	WS3	18	WS3	13000	13000	13000	7200	
6-3/4 x 22-1/2	GHF67225	--	7	6-7/8	21-7/8	3	46	WS3	20	WS3	13000	13000	13000	8000	
6-3/4 x 24	GHF67240	--	7	6-7/8	23-1/4	3	48	WS3	22	WS3	13000	13000	13000	8800	

1) Allowable loads based on seat bearing calculated at 560 psi perpendicular to grain.

2) MiTek's WS25 (1/4" dia. x 2-1/2" long) and WS3 (1/4" dia. x 3" long) structural wood screws are included with GHF hangers.

3) Uplift loads have been increased 60% for wind or seismic loads; no further increase shall be permitted.

Copyright © 2020 MiTek Industries, Inc. All Rights Reserved

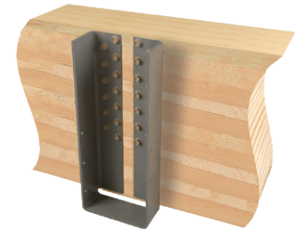
Glulam Beam Connectors

Continued on next page

**Specialty Options Chart**

– refer to Specialty Options pages 320-321 for additional details

Option	Skewed <sup>1,3</sup>	Sloped Seat <sup>2</sup>	Sloped / Skewed <sup>1,2</sup>	Inverted Flange
Range	1° to 50°	1° to 45°	See Sloped Seat and Skewed	Not available in widths less than 4-1/2"
Allowable Loads	100% of table load. 75% of uplift load on skewes greater than 15°.	100% of table load	80% of table load 75% of uplift load on skewes greater than 15°.	100% of table load. 65% of table load when fastening into the support members end grain.
Ordering	Add <i>SK</i> , angle required, right ( <i>R</i> ) or left ( <i>L</i> ), and square cut ( <i>SQ</i> ) or bevel cut ( <i>BV</i> ) to product number. Ex. GHF31900_SK45R_BV	Add <i>SL</i> , slope required, and up ( <i>U</i> ) or down ( <i>D</i> ), to product number. Ex. GHF31900_SL30D	See Sloped Seat and Skewed. Ex. GHF31900_SK45R_BV_SL30D	Add <i>IF</i> to product number. Ex. GHF51135_IF



**Typical GHF51135IF inverted flange installation**

- 1) Skewed hangers with skewes greater than 15° may have all joist nailing on outside flange.
- 2) Sloped or sloped / skewed hangers with slopes greater than 15° may have additional joist nails.
- 3) Skewed hangers typically require a bevel cut however, a square cut option may be available as a custom when requested.

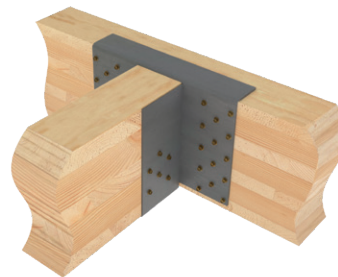
**KEGQ Glulam Beam Hangers**

MiTek's WS structural wood screw fastening, heavy steel construction, and a continuous top flange allow the KEGQ products to have high load capacities.

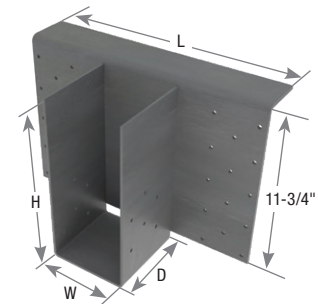
- Materials:** See chart
- Finish:** Primer
- Codes:** IBC, FL, LA

**Installation:**

- Install with MiTek's WS structural wood screws.
- MiTek's WS3 structural wood screws, 1/4" dia. x 3" long, are supplied with KEGQ hangers.
- **Minimum header height (H) is 11-7/8".**
- Beam height dimension (H) must be specified when ordering.



**Typical KEGQ550 installation**



**KEGQ**

Joist / Purlin Size	MiTek USP Stock No.	Ref. No.	Steel Ga.		Dimensions (in)				Fastener Schedule <sup>3</sup>				DF/SP Allowable Loads (Lbs.)				S-P-F Allowable Loads (Lbs.)				Code Ref.
			Top Flange	U-Strap	W	H <sup>2</sup>	D	L	Header		Joist		Download		Uplift <sup>1</sup>	Download		Uplift <sup>1</sup>			
									Qty	Type	Qty	Type	100%	115%	125%	160%	100%	115%	125%	160%	
3-1/2	<b>KEGQ362</b>	EGQ3.62-SDS3	3	7	<b>3-5/8</b>	specify	6	18	28	WS3	12	WS3	<b>17265</b>	<b>17265</b>	<b>17265</b>	4695	13005	13615	13795	3750	IBC, FL, LA
5-1/4	KEGQ550	EGQ5.25-SDS3	3	7	5-1/2	specify	6	18	28	WS3	12	WS3	<b>17265</b>	<b>17265</b>	<b>17265</b>	7430	13720	13720	13720	6525	
7	KEGQ725	EGQ7.25-SDS3	3	7	7-1/4	specify	6	18	28	WS3	12	WS3	<b>17265</b>	<b>17265</b>	<b>17265</b>	7430	13680	13680	13680	6525	

- 1) Uplift loads have been increased 60% for wind and seismic loads; no further increase shall be permitted.
  - 2) "Specify" denotes the required supported beam height that must be specified at the time of ordering, with 11" being the minimum.
  - 3) MiTek's WS3 structural wood screws are 1/4" dia. x 3" long and are included with KEGQ hangers.
- New products or updated product information are designated in **blue font**.