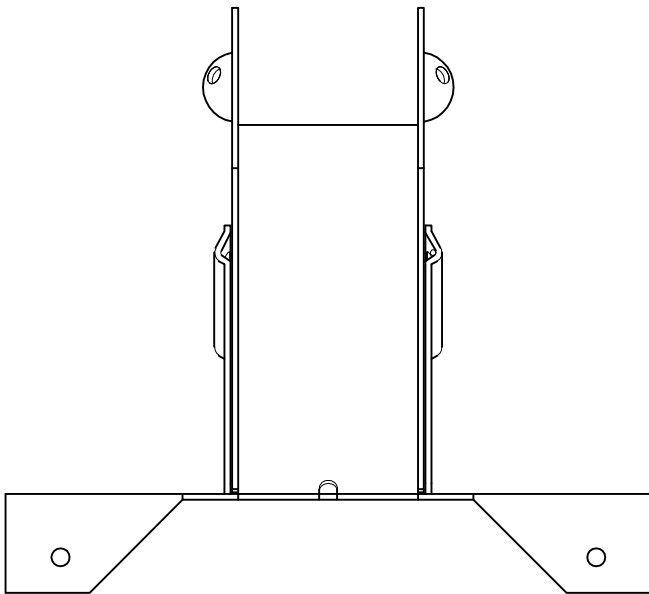
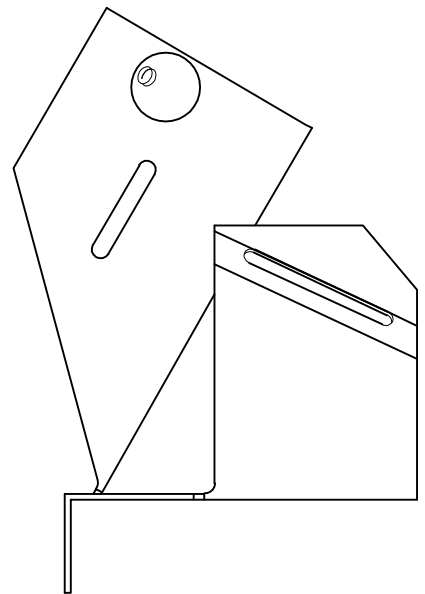


TMP2 - TOP VIEW



TMP2 - FRONT VIEW



TMP2 - SIDE VIEW