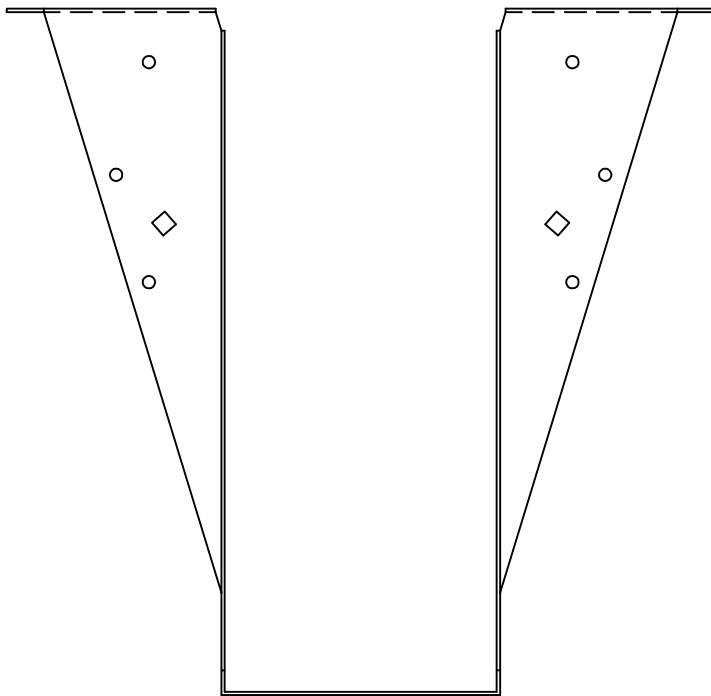
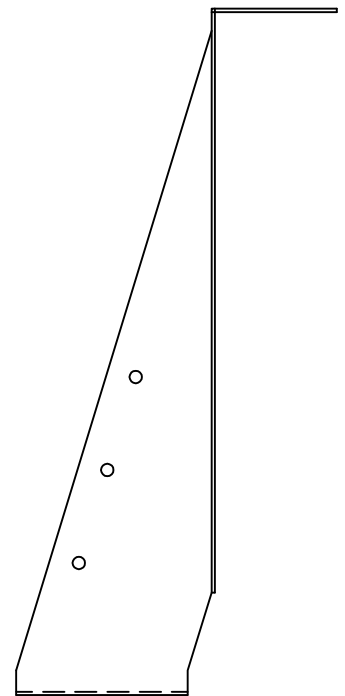


TH023118-2 - TOP VIEW



TH023118-2 - FRONT VIEW



TH023118-2 - SIDE VIEW