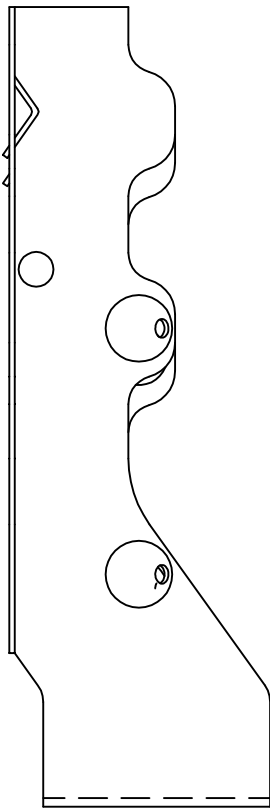
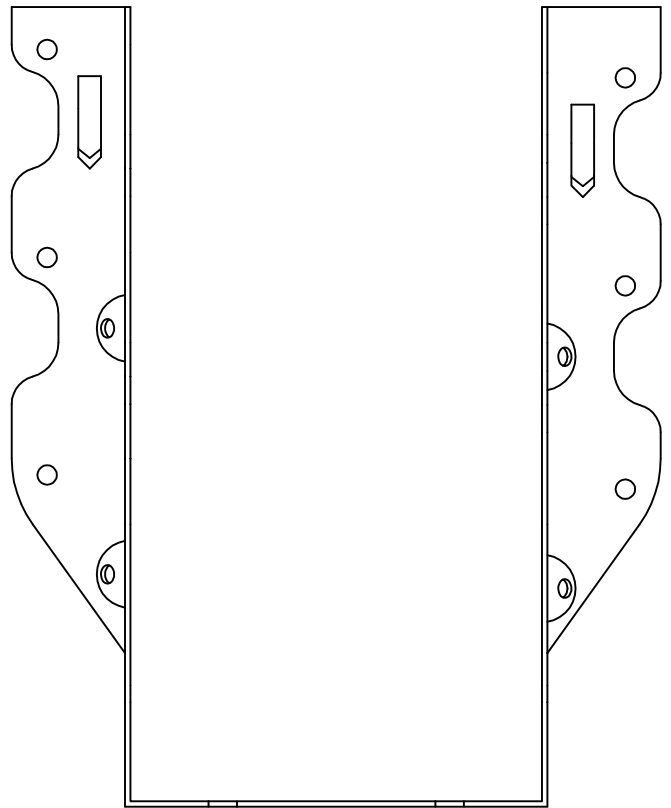


JUS48 - TOP VIEW



JUS48 - SIDE VIEW



JUS48 - FRONT VIEW