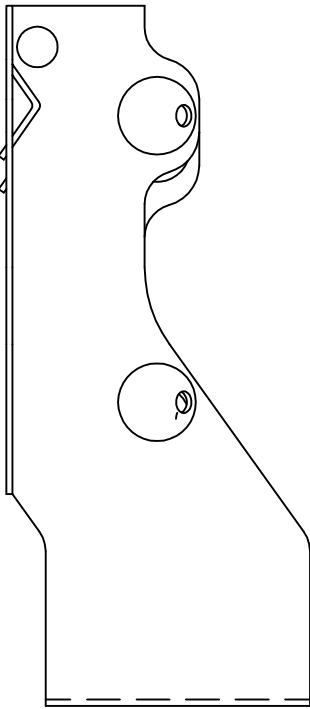
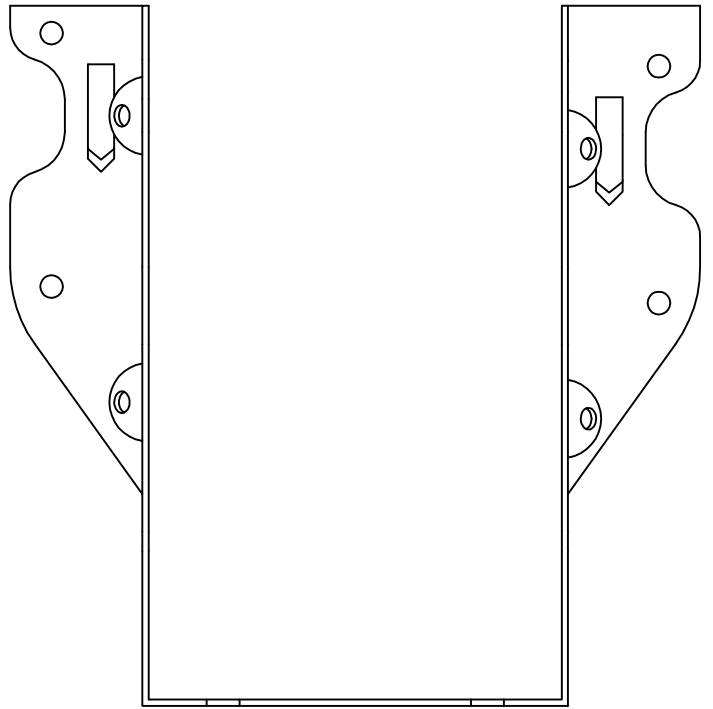


JUS26-2 - TOP VIEW



JUS26-2 - SIDE VIEW



JUS26-2 - FRONT VIEW