

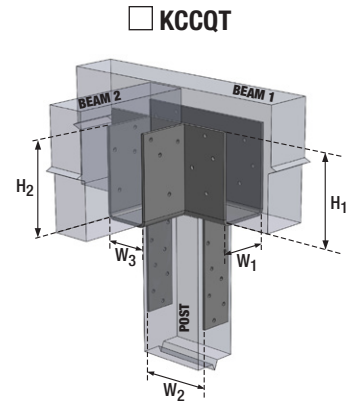
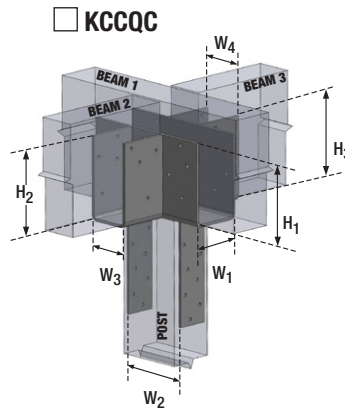
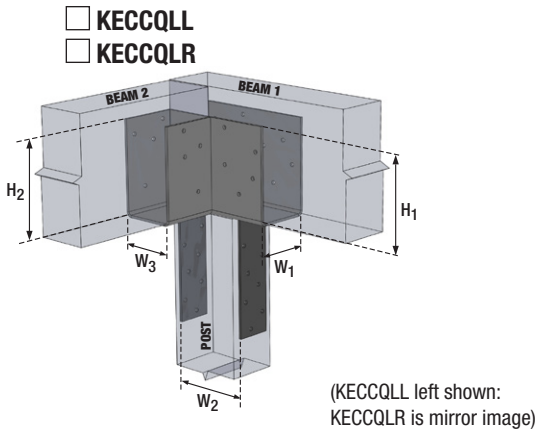
## KCCQ/KECCQ Special Order Worksheet

### INSTRUCTIONS FOR ORDERING MULTI-BEAM COLUMN CAPS:

- 1. CHOOSE COLUMN CAP STYLE:** Choose the style of cap you require by checking one of the boxes below. Refer to your plans if you are not sure on the style you require.
- 2. DETERMINE THE DIMENSIONS OF THE CAP:** Start by filling out the dimensions of the members in the connection, in the Post and Beam dimensions section, and then follow the footnotes, in the Column Cap Dimensions section, to fill in the dimensions of the Column Cap.

- 3. DETERMINE THE VERTICAL ALIGNMENT OF THE BEAM:** Check the box in the Beam's Vertical Alignment that best represents your connection.
- 4. STRAP STYLE:** Check the box that represents the strap style you require.
- 5. SELECT FINISH OF CAP:** The standard Column Cap comes in MiTek grey primer. For Hot-dip galvanized specify "HDG".
- 6. PLACE ORDER:** Contact MiTek for ordering information.

### MULTIPLE BEAM COLUMN CAPS



### Post and Beam Dimensions:

Provide dimensions in **actual inches** (not nominal dimensions).

**Beam 1:** Width \_\_\_\_\_ Height \_\_\_\_\_

**Beam 2:** Width \_\_\_\_\_ Height \_\_\_\_\_

**Beam 3:** Width \_\_\_\_\_ Height \_\_\_\_\_

**Post Size:** \_\_\_\_\_

If post is not square, specify width of post between the straps \_\_\_\_\_

### Column Cap Dimensions:

$W_1 =$  \_\_\_\_\_  $H_1 =$  \_\_\_\_\_

$W_3 =$  \_\_\_\_\_  $H_2 =$  \_\_\_\_\_

$W_4 =$  \_\_\_\_\_  $H_3 =$  \_\_\_\_\_

$W_2 =$  \_\_\_\_\_

$W_1, W_3, W_4$  will typically be 1/8"-1/4" greater than beam widths.  $W_2$  will typically be 0"-1/8" greater than post width.

Internal Use Only

Signature: \_\_\_\_\_

### ORIENTATION OF BEAM HEIGHT

Refer to your plans to determine the correct orientation of your beam. Check the box for the orientation that best describes your beam configuration and ensure that the column cap dimensions are as follows:

Side Beam Flush at Top and Bottom



Column Cap Dimensions:  $H_2 = H_1$

Side Beam Flush at Top – Extends Below Main Beam



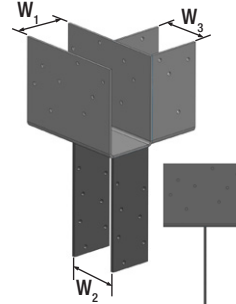
Column Cap Dimensions:  $H_2 > H_1$

Side Beam Flush at Bottom – Extends Above Main Beam

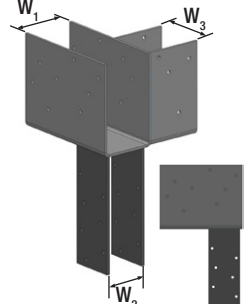


Column Cap Dimensions:  $H_2 = H_1$

Standard Strap Orientation



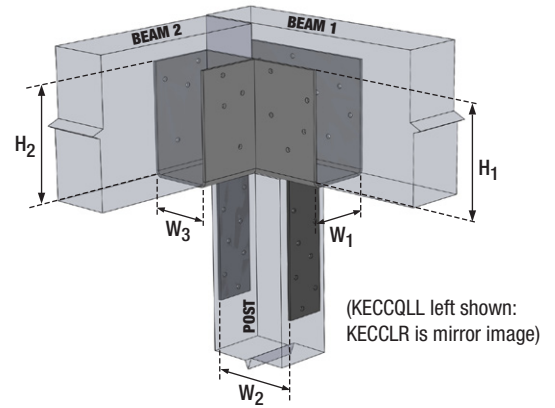
Straps Rotated\*



Column Cap Dimensions:  $W_2 \leq W_1$   
\* Not available for all models of column caps

### Customer Service & Technical Assistance

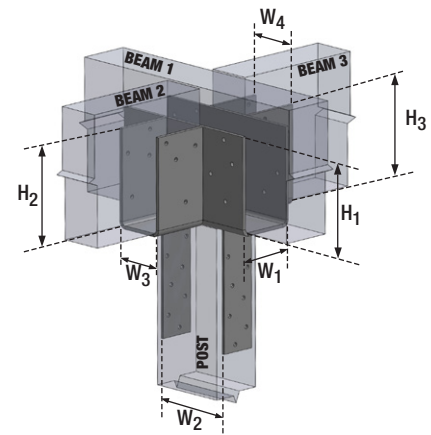
Stock No.	W1	W2	W3	H1	H2	Side Stirrup Direction
KECCQL325-4	3-1/4	3-5/8	3-1/4	6-1/2	6-1/2	Specify Left or Right
KECCQL325-6	3-1/4	5-1/2	3-1/4	6-1/2	6-1/2	
KECCQL44	3-5/8	3-5/8	3-5/8	6-1/2	6-1/2	Specify Left
KECCQL444	3-5/8	3-5/8	3-5/8	6-1/2	6-1/2	
KECCQL444	3-5/8	3-5/8	3-5/8	6-1/2	6-1/2	Specify Right
KECCQL45	3-5/8	5-3/8	3-5/8	6-1/2	6-1/2	
KECCQL46	3-5/8	5-1/2	3-5/8	6-1/2	6-1/2	Specify Left or Right
KECCQL46	3-5/8	5-1/2	3-5/8	6-1/2	6-1/2	
KECCQL46	3-5/8	5-1/2	3-5/8	6-1/2	6-1/2	Specify Left
KECCQL46	3-5/8	5-1/2	3-5/8	6-1/2	6-1/2	
KECCQL47	3-5/8	7-1/8	3-5/8	6-1/2	6-1/2	Specify Right
KECCQL47X	3-5/8	7-1/8	3-5/8	6-1/2	6-1/2	
KECCQL48	3-5/8	7-1/2	3-5/8	6-1/2	6-1/2	Specify Left or Right
KECCQL525-4	5-1/4	3-5/8	5-1/4	8	8	
KECCQL525-6	5-1/4	5-1/2	5-1/4	8	8	
KECCQL525-8	5-1/4	7-1/2	5-1/4	8	8	
KECCQL57	5-3/8	7-1/8	5-3/8	6-1/2	6-1/2	Specify Left or Right
KECCQL64	5-1/2	3-5/8	5-1/2	6-1/2	6-1/2	
KECCQL66	5-1/2	5-1/2	5-1/2	6-1/2	6-1/2	Specify Left
KECCQL66	5-1/2	5-1/2	5-1/2	6-1/2	6-1/2	
KECCQL66	5-1/2	5-1/2	5-1/2	6-1/2	6-1/2	Specify Right
KECCQL67X	5-1/2	7-1/8	5-1/2	6-1/2	6-1/2	
KECCQL68	5-1/2	7-1/2	5-1/2	6-1/2	6-1/2	Specify Left or Right
KECCQL74	6-7/8	3-5/8	6-7/8	6-1/2	6-1/2	
KECCQL76	6-7/8	5-1/2	6-7/8	6-1/2	6-1/2	
KECCQL77	6-7/8	6-7/8	6-7/8	6-1/2	6-1/2	
KECCQL78	6-7/8	7-1/2	6-7/8	6-1/2	6-1/2	
KECCQL71-4	7-1/8	3-5/8	7-1/8	6-1/2	6-1/2	Specify Left or Right
KECCQL71-6	7-1/8	5-1/2	7-1/8	6-1/2	6-1/2	
KECCQL71-71	7-1/8	7-1/8	7-1/8	6-1/2	6-1/2	
KECCQL71-8	7-1/8	7-1/2	7-1/8	6-1/2	6-1/2	
KECCQL84	7-1/2	3-5/8	7-1/2	6-1/2	6-1/2	
KECCQL86	7-1/2	5-1/2	7-1/2	6-1/2	6-1/2	
KECCQL88	7-1/2	7-1/2	7-1/2	6-1/2	6-1/2	
KECCQL94	8-7/8	3-5/8	8-7/8	6-1/2	6-1/2	
KECCQL96	8-7/8	5-1/2	8-7/8	6-1/2	6-1/2	
KECCQL98	8-7/8	7-1/2	8-7/8	6-1/2	6-1/2	
KECCQL106	9-1/2	5-1/2	9-1/2	6-1/2	6-1/2	



(KECCQL left shown; KECCQLR is mirror image)

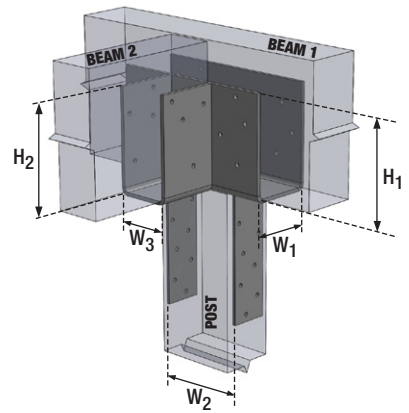
**KECCQL/KECCQLR**

Stock No.	W1	W2	W3	W4	H1	H2	H3
KCCQC325-4	3-1/4	3-5/8			6-1/2		
KCCQC325-6	3-1/4	5-1/2			6-1/2		
KCCQC44	3-5/8	3-5/8			6-1/2		
KCCQC45	3-5/8	5-3/8			6-1/2		
KCCQC46	3-5/8	5-1/2			6-1/2		
KCCQC47	3-5/8	7-1/8			6-1/2		
KCCQC47X	3-5/8	7-1/8			6-1/2		
KCCQC48	3-5/8	7-1/2			6-1/2		
KCCQC525-4	5-1/4	3-5/8			8		
KCCQC525-6	5-1/4	5-1/2			8		
KCCQC525-8	5-1/4	7-1/2			8		
KCCQC57	5-3/8	7-1/8			6-1/2		
KCCQC64	5-1/2	3-5/8			6-1/2		
KCCQC66	5-1/2	5-1/2			6-1/2		
KCCQC67X	5-1/2	7-1/8			6-1/2		
KCCQC68	5-1/2	7-1/2			6-1/2		
KCCQC74	6-7/8	3-5/8	Specify	Specify	6-1/2	Specify	Specify
KCCQC76	6-7/8	5-1/2			6-1/2		
KCCQC77	6-7/8	6-7/8			6-1/2		
KCCQC78	6-7/8	7-1/2			6-1/2		
KCCQC71-4	7-1/8	3-5/8			6-1/2		
KCCQC71-6	7-1/8	5-1/2			6-1/2		
KCCQC71-71	7-1/8	7-1/8			6-1/2		
KCCQC71-8	7-1/8	7-1/2			6-1/2		
KCCQC84	7-1/2	3-5/8			6-1/2		
KCCQC86	7-1/2	5-1/2			6-1/2		
KCCQC88	7-1/2	7-1/2			6-1/2		
KCCQC94	8-7/8	3-5/8			6-1/2		
KCCQC96	8-7/8	5-1/2			6-1/2		
KCCQC98	8-7/8	7-1/2			6-1/2		
KCCQC106	9-1/2	5-1/2			6-1/2		



**KCCQC**

Stock No.	W1	W2	W3	H1	H2
KCCQT325-4	3-1/4	3-5/8		6-1/2	
KCCQT325-6	3-1/4	5-1/2		6-1/2	
KCCQT44	3-5/8	3-5/8		6-1/2	
KCCQT45	3-5/8	5-3/8		6-1/2	
KCCQT46	3-5/8	5-1/2		6-1/2	
KCCQT47	3-5/8	7-1/8		6-1/2	
KCCQT47X	3-5/8	7-1/8		6-1/2	
KCCQT48	3-5/8	7-1/2		6-1/2	
KCCQT525-4	5-1/4	3-5/8		8	
KCCQT525-6	5-1/4	5-1/2		8	
KCCQT525-8	5-1/4	7-1/2		8	
KCCQT57	5-3/8	7-1/8		6-1/2	
KCCQT64	5-1/2	3-5/8		6-1/2	
KCCQT66	5-1/2	5-1/2		6-1/2	
KCCQT67X	5-1/2	7-1/8		6-1/2	
KCCQT68	5-1/2	7-1/2		6-1/2	
KCCQT74	6-7/8	3-5/8	Specify	6-1/2	Specify
KCCQT76	6-7/8	5-1/2		6-1/2	
KCCQT77	6-7/8	6-7/8		6-1/2	
KCCQT78	6-7/8	7-1/2		6-1/2	
KCCQT71-4	7-1/8	3-5/8		6-1/2	
KCCQT71-6	7-1/8	5-1/2		6-1/2	
KCCQT71-71	7-1/8	7-1/8		6-1/2	
KCCQT71-8	7-1/8	7-1/2		6-1/2	
KCCQT84	7-1/2	3-5/8		6-1/2	
KCCQT86	7-1/2	5-1/2		6-1/2	
KCCQT88	7-1/2	7-1/2		6-1/2	
KCCQT94	8-7/8	3-5/8		6-1/2	
KCCQT96	8-7/8	5-1/2		6-1/2	
KCCQT98	8-7/8	7-1/2		6-1/2	
KCCQT106	9-1/2	5-1/2		6-1/2	



**KCCQT**

MiTek Customer Service:  
1-800-328-5934 / 1-952-898-8772 • Fax: 1-952-898-8605  
Email: customerservice@mii.com • www.MiTek-US.com  
**MiTek-US.com**