



# T10 Hoist Plate Installed with LumberLok Exterior Structural Connector Screws

The T10 Hoist Plate is engineered with a reinforced collar around the hoist hole for added strength. Install with MiTek's LL930 LumberLok Exterior Structural Connector Screws for greater uplift while allowing for easy removal of the connection after the hoisted member is in place.

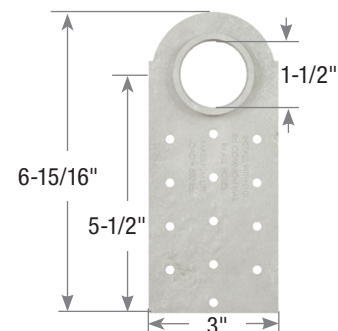
**Materials:** 14 gauge  
**Finish:** G90 galvanizing

**Installation:**

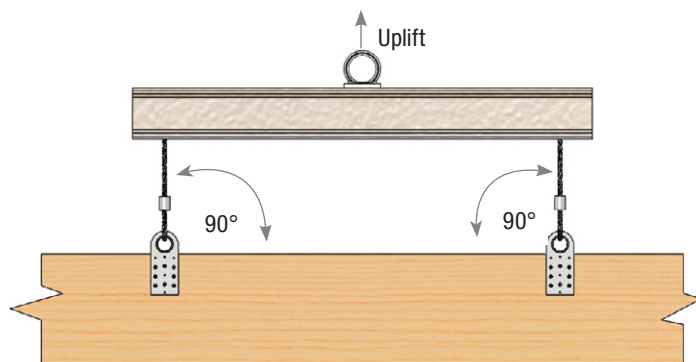
- Fill a minimum of (8) holes with MiTek's LL930 screws that align with wood.
- MiTek's LL930 screws are #9 (0.131" diameter) x 2-7/8" long.
- Install LL930 screws using a low speed clutch drill with T20\* drive (not included). The washer head should be flat to the surface. Do not over-tighten the screws.
- Impact drills are not recommended for use with LumberLok Screws.



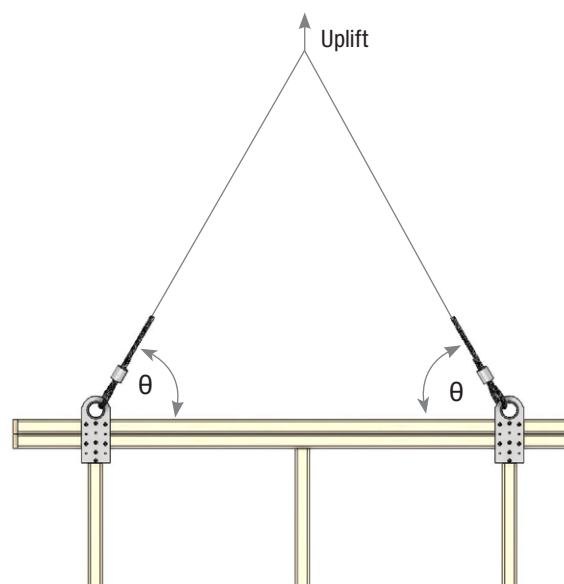
Typical T10 installation



T10



Typical 90° installation



Typical 60° installation

MiTek Stock No.	Ref. No.	Steel Gauge	Fastener Schedule <sup>1</sup>		Angle from Horizontal $\theta$ (degrees)	DF/SP/HF/SPF Allowable Uplift Load (Lbs.) <sup>2</sup>	
			Min Qty	Screw		Vertical 125%	
T10	--	14	8	LL930-GC	45 - 59	1180	
					60 - 74	1440	
					75 - 90	1620	

1) LL930-GC denotes a LumberLok Screw (#9 x 2-7/8" long) sold by MiTek and must be ordered separately.  
 2) Allowable load shall not be increased for other load duration factors.

\*T20 is a trademark of Acument

**Customer Service & Technical Assistance**

**PHONE:** 1-800-328-5934 • **FAX:** 1-952-898-8605 • **EMAIL:** customerservice@mii.com

**MiTek-US.com**