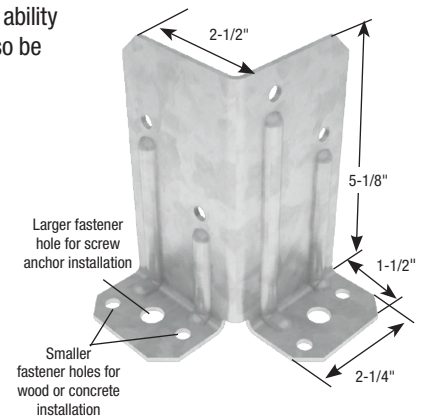


RPB-TZ post base attaches 4x4 or larger wood posts to concrete or wood surfaces and the key feature is the ability for installation after the post is in place. Can be installed with 1 or 2 RPB-TZ's (single or double). Post may also be installed on our CPB composite post base product which provides a 1-inch stand off as required in untreated wood installations. Installs with concrete screws, so no more mis-installed, mis-located, anchor bolts!

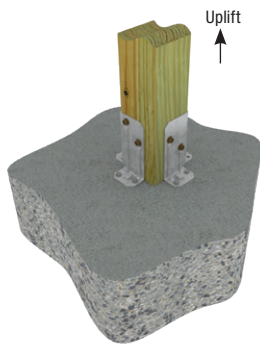
Materials: 12 gauge
Finish: G-185 galvanizing

Installation:

- MiTek's WS structural wood screws and screw anchors are not included with RPB bases.
- **Not recommended for fence posts or other unrestrained (not fixed or fastened at top) applications. These anchors are not designed to resist overturning (moment) loads.**
- **Concrete Installation:**
 1. Place RPB-TZ over one corner of post flush to both concrete and post surfaces and mark hole locations in concrete. Place aside.
 2. Drill holes for concrete screws using appropriate bit and hammer drill.
 3. Place RPB-TZ in position and install with specified fasteners as listed in table below.
 4. Repeat for RPB-TZ on other side of post for double installations.
- **Wood-to-Wood Installation:**
 1. Place RPB-TZ over one corner of post flush to wood base and post surfaces.
 2. Install all specified MiTek WS structural wood screws as listed in the table below.
 3. Repeat for RPB-TZ on other side of post for double installations.



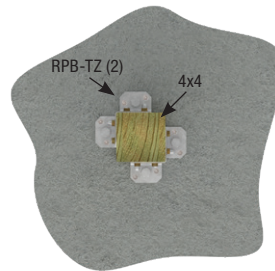
RPB-TZ



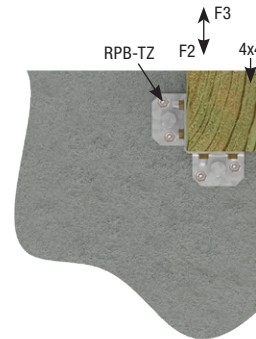
Typical double RPB-TZ concrete installation



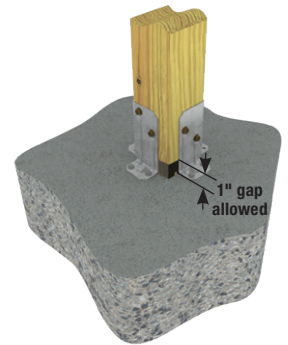
Typical double RPB-TZ wood-to-wood installation



Typical double RPB-TZ concrete installation Min 2-1/2" from any concrete edge (Top view)



Typical single RPB-TZ installation at concrete corner, flush to edge (Top view)



Typical double RPB-TZ installation with CPB composite post base (CPB ordered separately)

MiTek Stock No.	Ref. No.	GA	Qty of RPB's	Fastener Schedule ^{10,11}			DF/SP Allowable Loads (Lbs.) ^{1,5}			Ctn Qty		
				Post		Base	Uplift 160%	F2 160%	F3 160%			
				Qty	Wood Screw	Qty					Type ^{2,3}	
RPB-TZ	RPBZ	12	Concrete Base with Post Flush to Corner⁶								12	
			1	4	WS3	2	3/8" x 2-1/2"	1525	710	495		
						4	Tapper+	735	655			
			1	4	WS15	2	3/8" x 2-1/2"	1470	710	495		
						4	Tapper+	735	655			
			Concrete Base with Post 2-1/2" from Concrete Edge^{4,6}									12
			1	4	WS15 or WS3	2	3/8" x 2-1/2"	1470 ⁹	710	495		
						4	Tapper+	865	655			
			2 ⁴	8	WS15 or WS3	4	3/8" x 2-1/2"	2295	990	990		
						8	Tapper+	1735				
LVL Base/SP Base^{7,8}								12				
1	4	WS15 or WS3	4	WS15	1110	960	495					
2	8	WS15 or WS3	8	WS15	2220							

- 1) Allowable loads are for DF/SP 4x4, 6x6, or larger posts. For SPF/HF loads, multiply the allowable load by 0.86.
- 2) Use DeWalt 3/8" x 2-1/2" Screw-Bolt™+ screw anchor; or equal, installed in accordance with manufacturer's specification. Screw anchors are not supplied.
- 3) Use Powers 1/4" x 1-3/4" Tapper+ concrete screw anchor (not supplied); or equal, installed in accordance with manufacturer's specification.
- 4) When installing connectors in pairs, the post must be a minimum of 2-1/2" from the edge of the concrete.
- 5) Allowable loads have been increased 60% for wind and seismic loads; no further increase shall be permitted.
- 6) Concrete compressive strength shall be 2,500 psi or greater at 28 days.
- 7) LVL framing base shall be at least 1-3/4" thick.
- 8) SP framing base shall be at least 1-1/2" thick.
- 9) Allowable uplift for single RPB-TZ using WS3 structural wood screws with Screw-Bolt™+ screw anchors for concrete base with post 2-1/2" from concrete edge is 1,525 lbs.
- 10) MiTek's structural wood screws and DeWalt screw anchors should be used only in interior-dry and non-corrosive environments.
- 11) Use MiTek's WS15-EXT or WS3-EXT structural wood screws when installing to treated wood.