

ST Series Foundation Anchor Installation Instructions

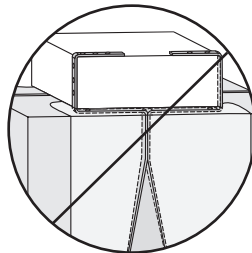
Foundation anchors secure mudsills and framing to concrete block walls, stemwalls, or slab foundations. By replacing conventional anchor bolt fastening, foundation anchors can eliminate time-consuming plate drilling and problems associated with mislocated anchor bolts.

ST1-TZ – For installation into concrete slab or poured stemwalls.

ST1-TZ – For installation into concrete slab, poured stemwalls, or concrete/masonry.

Installation:

- Use a minimum of two anchors per mudsill. An anchor should always be within 12" of the end of each mudsill section. Follow spacing guidelines in chart.
- Do not rely on these anchors to secure concrete sections together between cold joints.
- Spread sill flanges to mudsill width prior to insertion into wet concrete (minimum strength of 2,500 psi). Alternate installation is possible by inserting unbent flanges through 3/4" center hole predrilled in mudsill. Foundation anchors may also be attached to mudsill and then inserted into wet concrete. When installing ST2-TZ into concrete block, fill cells with grout with a minimum strength of 2,500 psi. Concrete block edges may need to be beveled to facilitate installation.
- ST2-TZ in masonry construction shall be installed in the core of the block and grouted in concrete grout designed for that purpose. In no case shall they be installed in a mortar joint.
- Do not use in red clay brick.



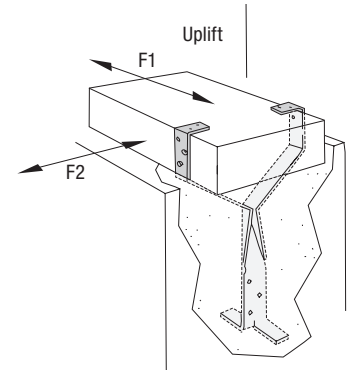
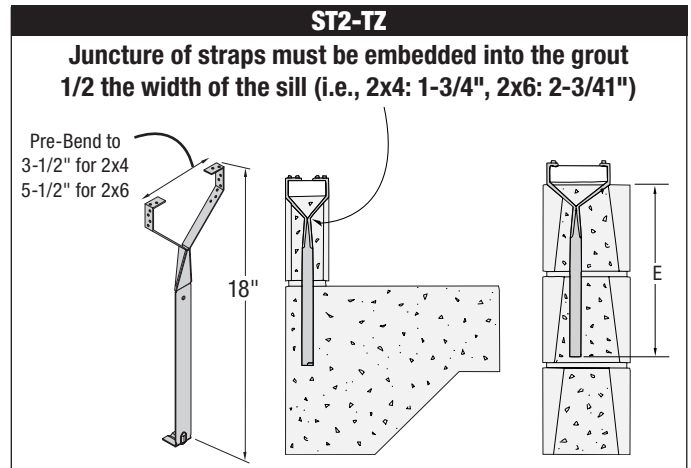
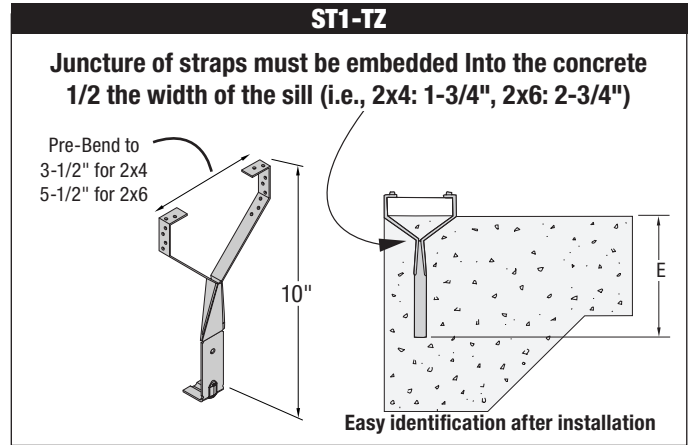
DO NOT install ST1-TZ and ST2-TZ without pre-bending sill flanges in "Y" configuration

Important!

Check this table for spacing Guidelines!

Plate Size	MiTek Stock No.	Steel Gauge	Fastener Schedule ⁴				Min. Embed. ³ (E)	Max. Spacing ² (Feet)	DF/SP Allowable Loads (Lbs.) ¹		
			Mudsill Top		Mudsill Side				Uplift 160%	F1 160%	F2 160%
			Qty	Type	Qty	Type					
2 x 4 - 6	ST1-TZ	18	4	8d x 1-1/2 HDG	4	8d x 1-1/2 HDG	8-1/2"	*3'-3"	825	565	745
	ST2-TZ						16-1/2"				

1) Allowable loads have been increased 60% for wind or seismic loads; no further increase shall be permitted.
 2) Anchor spacing and design loads assume treated Douglas Fir-Larch with Fc perpendicular @ 625 psi; replaces code prescribed 1/2" anchor bolt with standard washer, spaced 6 ft. on center.
 3) If installed in the alternate configuration, the ST1-TZ shall be embedded 7-1/4" and ST2-TZ 15".
 4) **NAILS:** 8d x 1-1/2" nails are 0.131" dia. x 1-1/2" long.
 *When a 2 x 8 mudsill is used for ST1-TZ or ST2-TZ, maximum spacing is 3 feet unless alternate installation is used.



Customer Service & Technical Assistance

Phone: 1-800-328-5934 • Fax: 1-952-898-8605 • Email: customerservice@mii.com