

SNP3 Skewed Nail Plate Alternate Installation

The SNP3 Skewed Nail Plate is designed and tested for connecting square cut corner jack trusses to supporting trusses at skews from 0° to 45°.

Materials: 16 gauge

Finish: G90 galvanizing

Installation:

- Bend angle only once.
- 8d common nails may be substituted for 8d x 1-1/2" nails with no reduction in load.

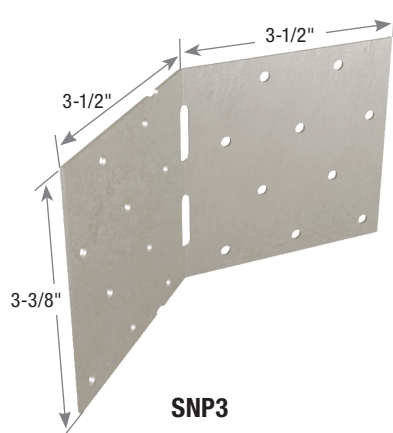
Typical Installation (Figure 1):

- Attach the SNP3 to the supported truss on the acute angle side so the SNP3 runs behind the end of the jack truss. Use all the specified fasteners listed in the table below. The fasteners should be installed nearest to bend line as possible then working to the opposite end of flange. Not all nail holes will be filled.
- Set the jack truss against the supporting truss and nail the exposed flange of the SNP3 into place. Use all the specified fasteners listed in the table below. The fasteners should be installed nearest to bend line as possible then working to the opposite end of flange. Not all nail holes will be filled.

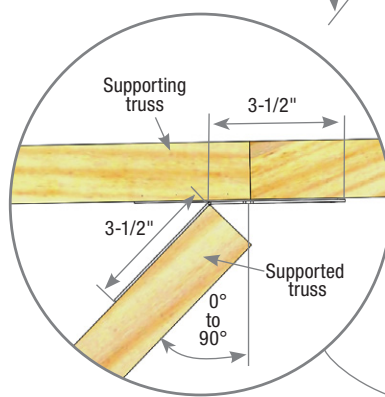
Note: The SNP3 can be installed at angles greater than 45° for the Typical SNP3 installation ONLY (See Figure 1) with no reduction in load capacity.

Alternate Installation (Figure 2):

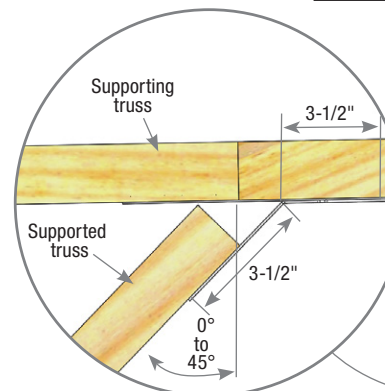
- Attach the SNP3 to the supported truss on the obtuse angle side so the SNP3 is on the front side of the jack truss. Use all the specified fasteners listed in the table below. The fasteners should be installed nearest to bend line as possible then working to the opposite end of flange but no closer than 5/8" from the end of the truss. Not all nail holes will be filled.
- Set the jack truss against the supporting truss and nail the exposed flange of the SNP3 into place. Use all the specified fasteners listed in the table below. The fasteners should be installed nearest to bend line as possible then working to the opposite end of flange. Not all nail holes will be filled.



SNP3



Typical SNP3 installation
Figure 1



Alternate SNP3 installation
Figure 2



USP Stock No.	Steel Gauge	Installation Type ⁴	Fastener Schedule ²				DF/SP Allowable Loads (Lbs.) ^{1,3}				S-P-F Allowable Loads (Lbs.) ^{1,3}			
			Supporting Member		Supported Member		100%	115%	125%	Upift 160%	100%	115%	125%	Upift 160%
			Qty	Type ⁵	Qty	Type ⁵								
SNP3	16	Figure 1	6	8d x 1-1/2	6	8d x 1-1/2	530	530	530	530	465	465	465	465
		Figure 2	6	8d x 1-1/2	6	8d x 1-1/2	350	350	350	350	305	305	305	305

1) Allowable loads have been increased 60% for wind or seismic loads; no further increase shall be permitted.

2) Install specified fasteners from the bend line out from each end. Not all nail holes will be filled.

3) When installing SNP3's back to back, the table loads shall be multiplied by a reduction factor of 0.71.

4) Refer to drawings for installation type.

5) **NAILS:** 8d x 1-1/2" nails are 0.131" dia. by 1-1/2" long.

Customer Service & Technical Assistance

Phone: 1-800-328-5934 • Fax: 1-952-898-8605 • Email: USPcustomerservice@mii.com