

LTS19-TZ Deck Lateral Load Connector

The LTS19-TZ holdown meets the lateral connection requirements outlined in the 2018 International Residential Code (IRC) by attaching deck floor joist members to the main structure. The LTS19-TZ can also be used for deck rail post reinforcement.

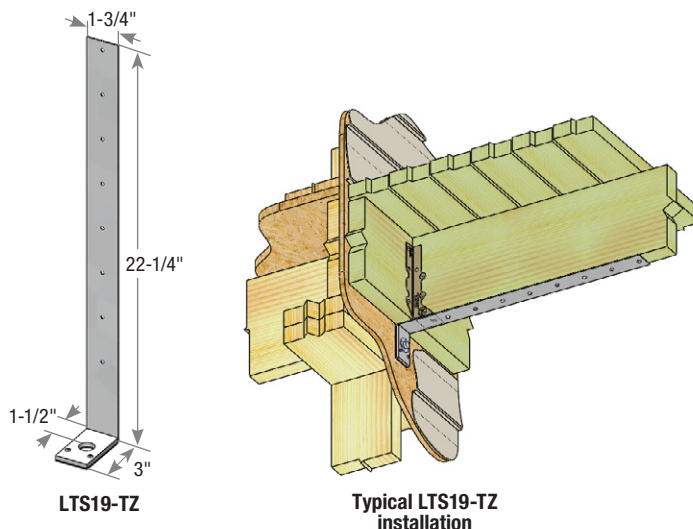
Materials: See chart

Finish: G-185 galvanized – Strap, Primer – Plate Washer

Codes: IBC, FL

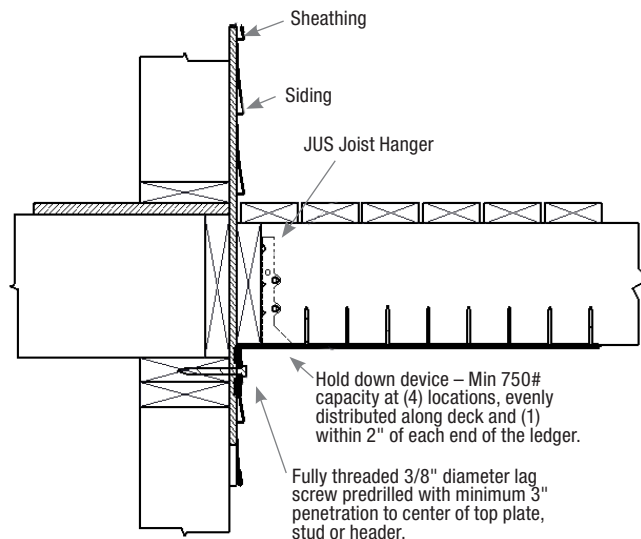
Installation:

- The LTS19-TZ must be installed flush to the surface of the outside wall of the home.
- Use the building code specified 3/8" lag screw and (2) 3/8" standard washers to secure the base of the LTS19-TZ to the main house structure. The minimum thread engagement into framing members for the lag screw is 3".
- Use all specified 10d common nails to attach the strap portion of the connector to the bottom of the deck floor joist.
- See Typical LTS19-TZ Side View installation detail based on IRC Figure R507.9.2(2) for additional installation instructions. IRC detail does not require access to the floor system inside the structure.



LTS19-TZ

Typical LTS19-TZ installation



Typical LTS19-TZ Side View installation
Based on IRC
Figure R507.9.2(2)

MiTek USP Stock No.	Ref. No.	Steel Gauge		Nail Spacing (in)	Fastener Schedule				DF/SP Allowable Tension Loads (Lbs.) ¹	
		Strap	Plate Washer		Lag Bolt ^{3,4}		Strap ^{2,7}		160%	Δ (in) ⁵
					Qty	Dia. (in)	Qty	Type		
LTS19-TZ	--	16	3	2-1/2	1	3/8	8	10d HDG	1205	0.132

1) Allowable tension loads have been increased 60% for wind or seismic loads; no further increase shall be permitted.
 2) 16d sinkers may be substituted for the specified 10d common nails with no load reduction.
 3) The designer must specify anchor bolt type, length and embedment depth.
 4) Lag screws or anchor bolts less than 3/4" dia. require two (2) standard washers, grade 5 or better.
 5) Deflections are derived from static, monotonic load tests of devices connected to DF wood members with specified fasteners.
 6) LTS19-TZ holdown shall be installed tight to the sill plate.
 7) **NAILS:** 10d nails are 0.148" dia. x 3" long.

Customer Service & Technical Assistance

Phone: 1-800-328-5934 • Fax: 1-952-898-8605 • Email: USPcustomerservice@mii.com