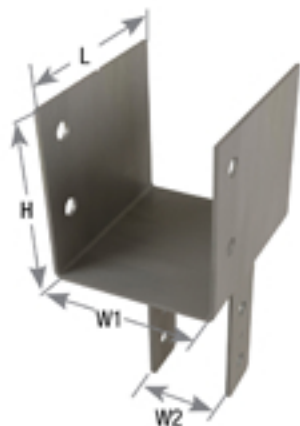
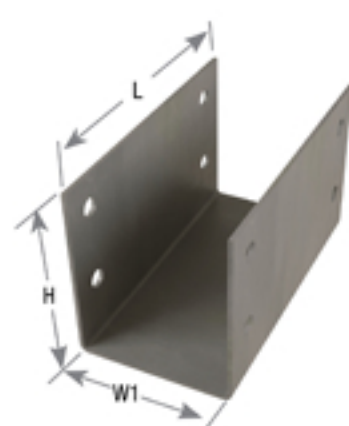


- **KECC** – Straps may be rotated 90° on special order where the W2 dimension is less than or equal to the W1 dimension. Unless specified W3 and W4 dimensions are equal to the W1 dimension, and H2 and H3 dimensions are equal to the H1 dimension.
- **KCCO/KECCO** – Cap only, no strap design for field welding to pipe or other columns.
- **KCCOB** – For cross beam connections. Any two buckets can be welded together for a wide variety of applications. Allowable load shall be the lesser of the two components.
- **KCCT** – For T beam intersections, consult USP. Specify beam/column conditions, dimensions, and loading requirements.
- **KCCC** – For X beam intersections, consult USP. Specify beam/column conditions, dimensions, and loading requirements.
- **KECCLL/R** – For L beam intersections, consult USP. Specify left (L) or right (R) beam/column conditions, dimensions, and loading requirements.

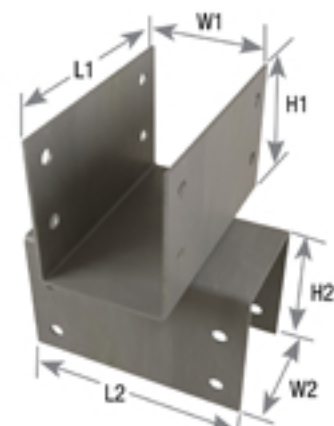
Dimension call-outs not shown in the table must be specified at time of ordering for specialty options, non-catalog, or rough/full size lumber sizes.



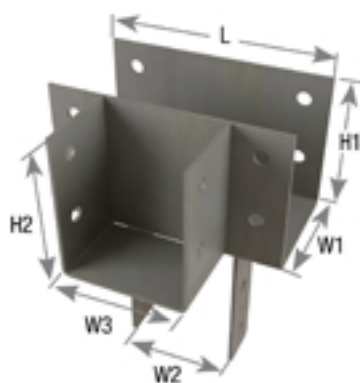
**Optional KECC
rotated straps 90°**



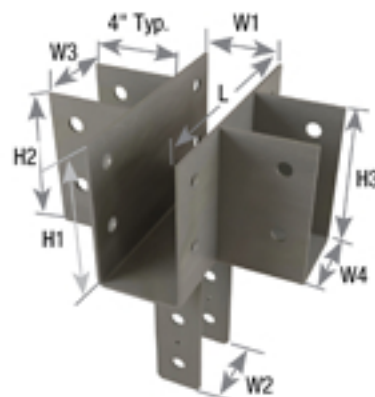
KCCO



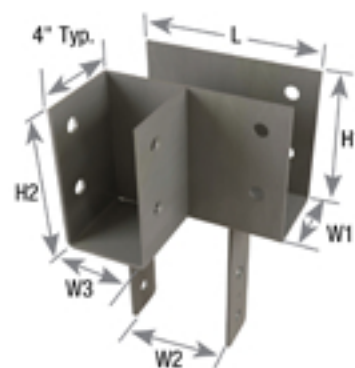
KCCOB



KCCT



KCCC



**KECCLL
left shown**