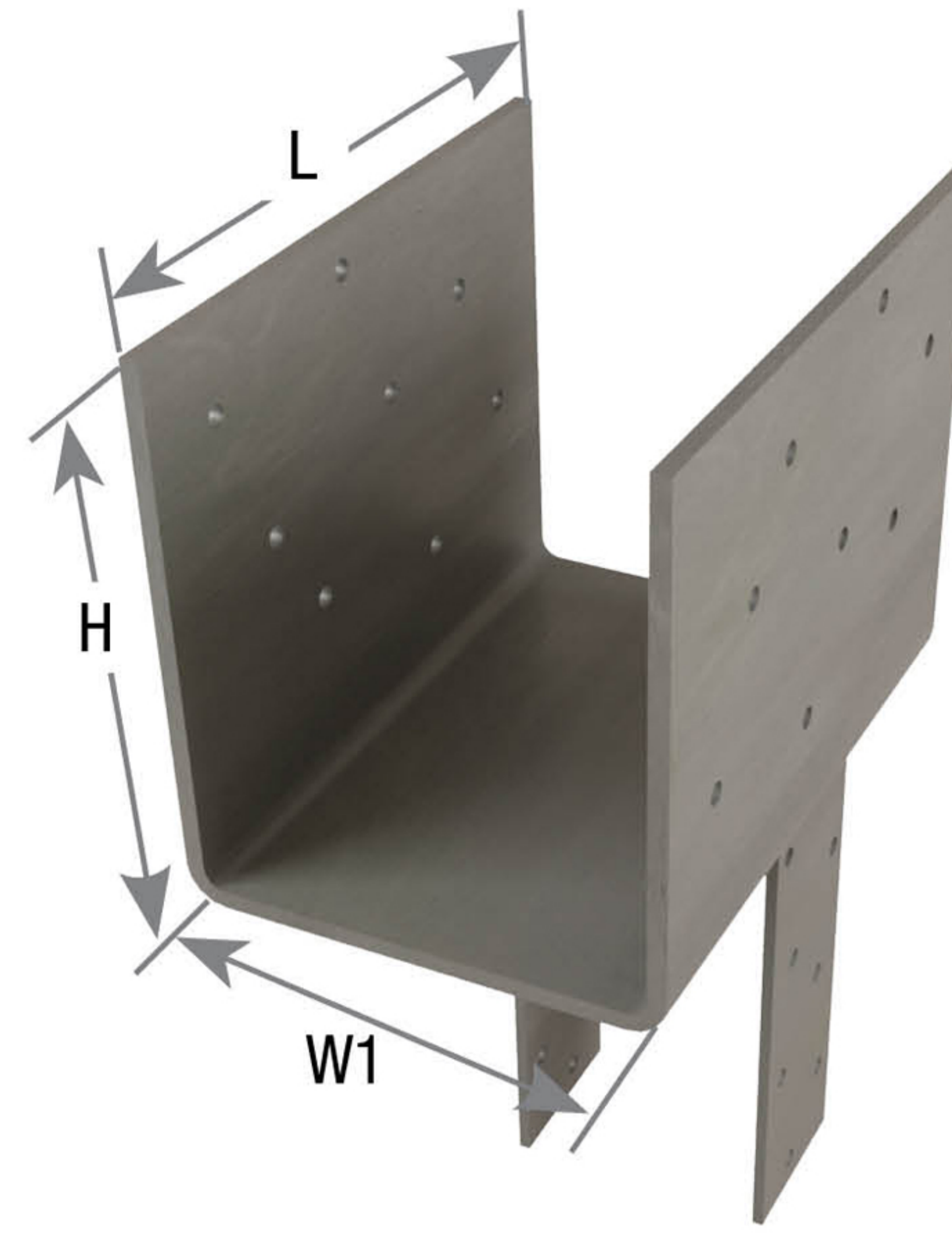


Specialty Options:

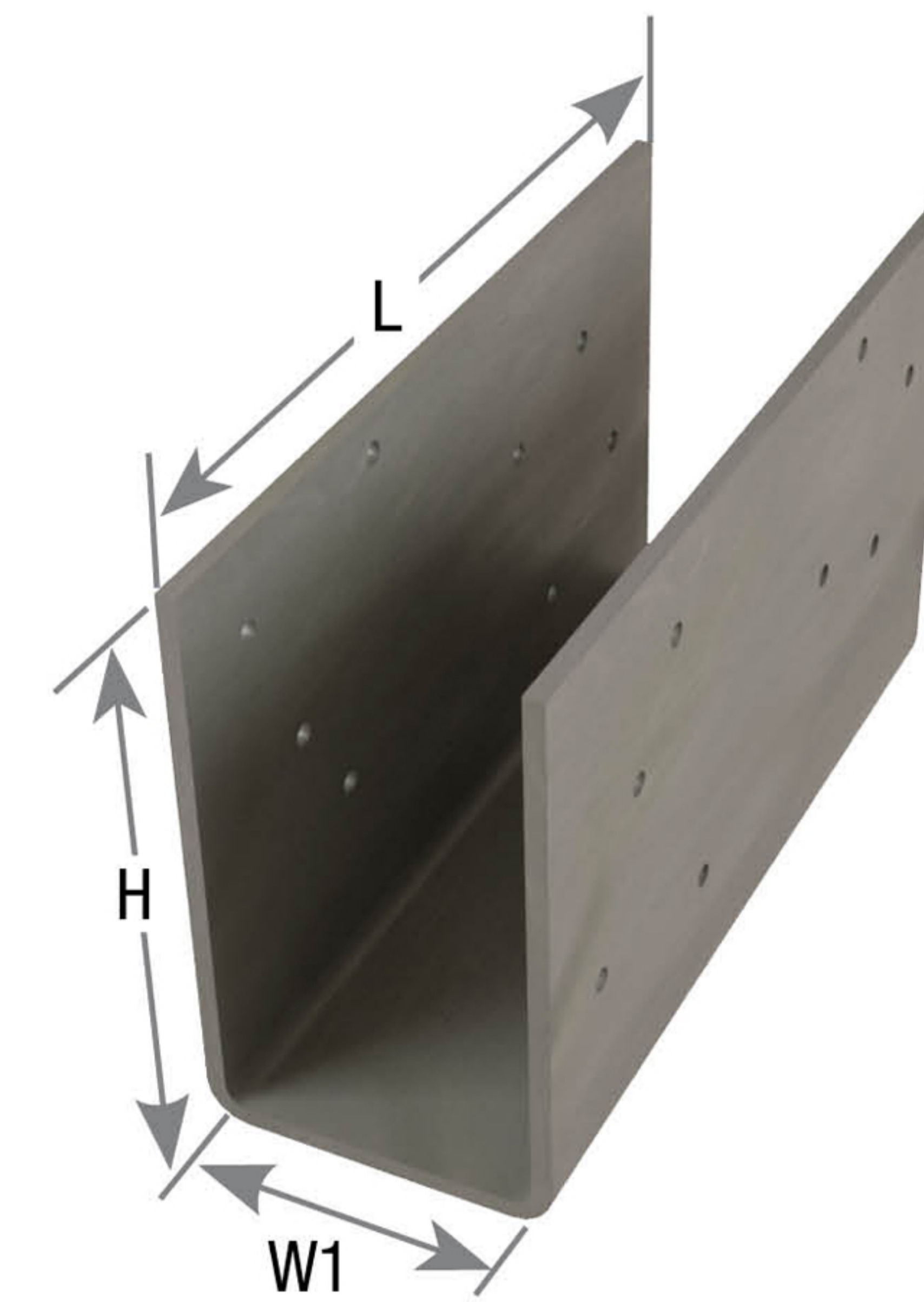
- **KECCQ** – Straps may be rotated 90° on special order where the W2 dimension is less than or equal to the W1 dimension.
- **KCCQO/KECCQO** – Cap only, no strap design for field welding to pipe or other columns.
- **KCCQOB** – For cross beam connections. Any two buckets can be welded together for a wide variety of applications. Allowable load shall be the lesser of the two components.
- **KCCQT** – For T beam intersections, consult USP. Specify beam/column conditions, dimensions, and loading requirements.
- **KCCQC** – For X beam intersections, consult USP. Specify beam/column conditions, dimensions, and loading requirements.
- **KECCQLL/R** – For L beam intersections, consult USP. Specify left (L) or right (R) beam/column conditions, dimensions, and loading requirements.

Dimension call-outs not shown in the table must be specified at time of ordering for specialty options, non-catalog, or rough/full size lumber sizes.

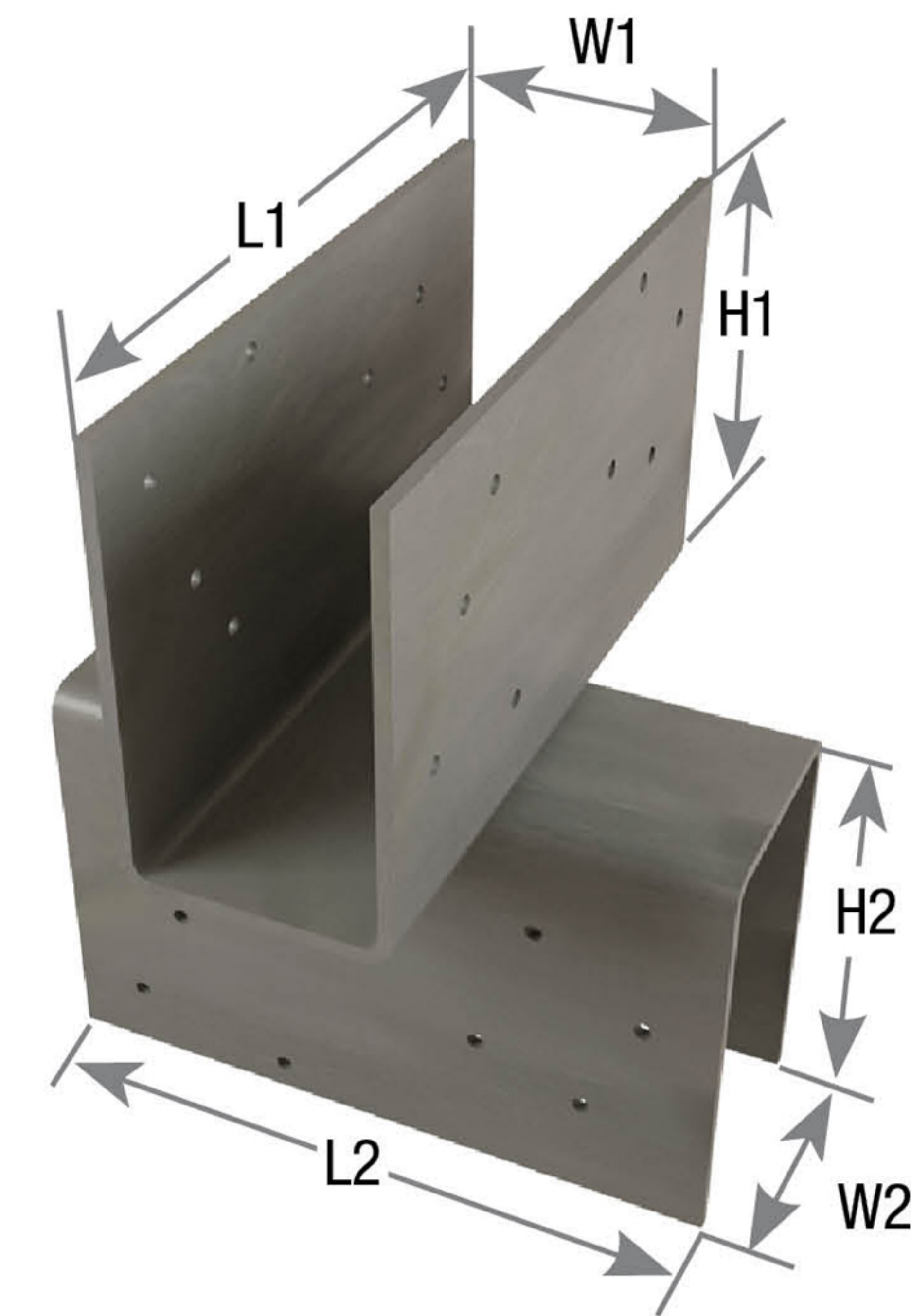
Refer to Options for Multiple-Beam Column Caps
Special Order Worksheet for ordering instructions at
www.uspconnectors.com/resources/technical-bulletins.



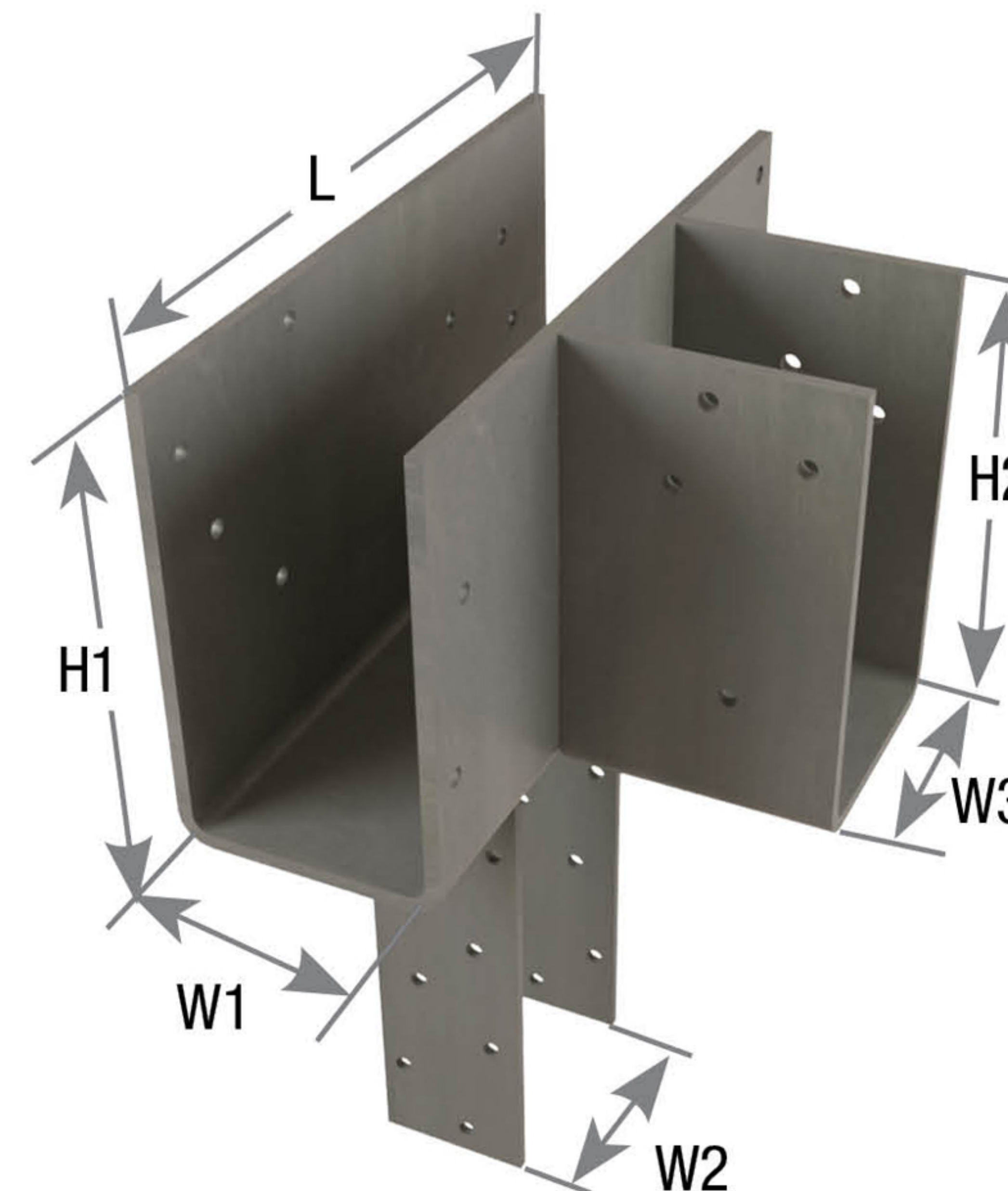
**Optional KECCQ
rotated straps 90°**



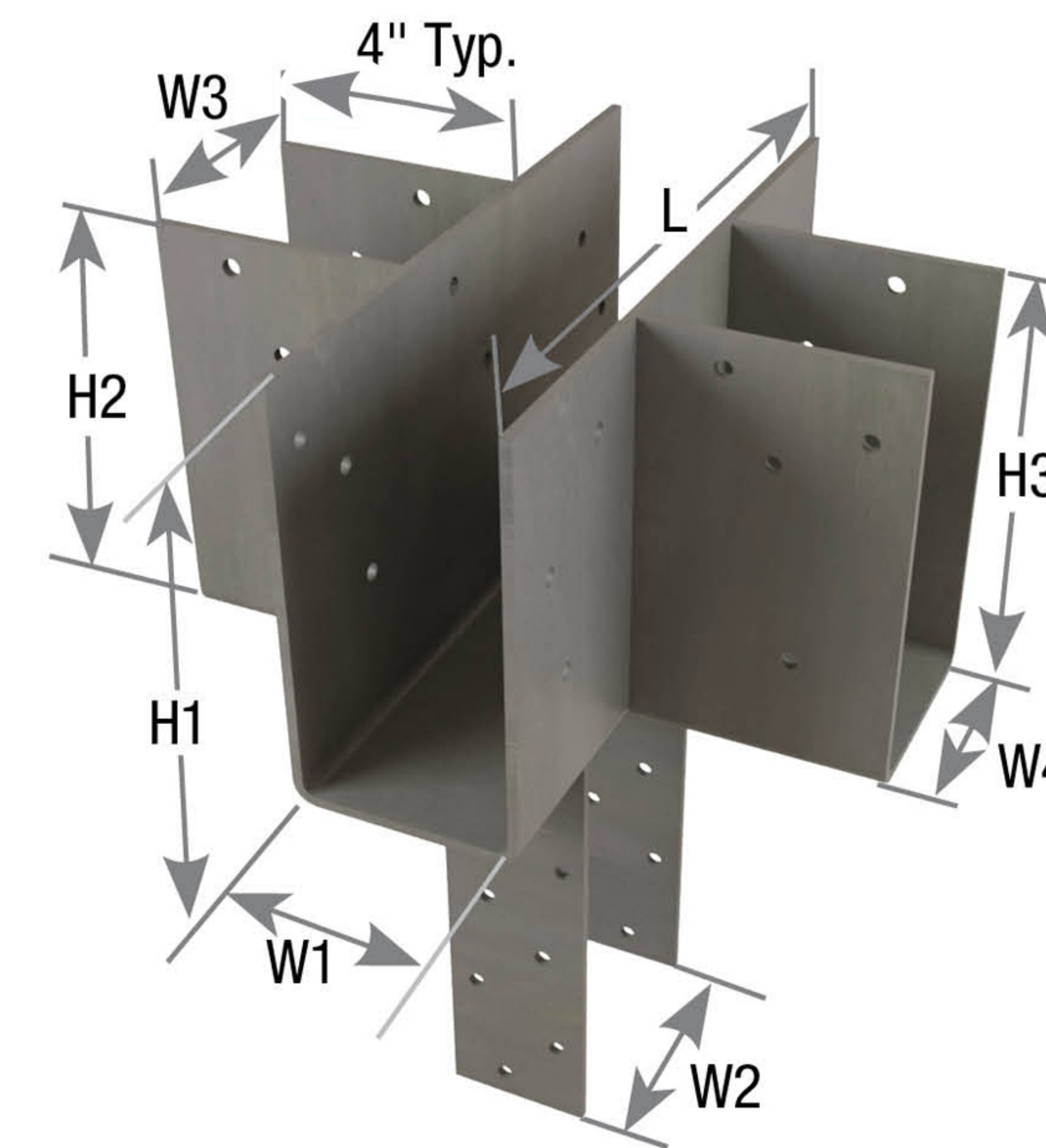
KCCQO



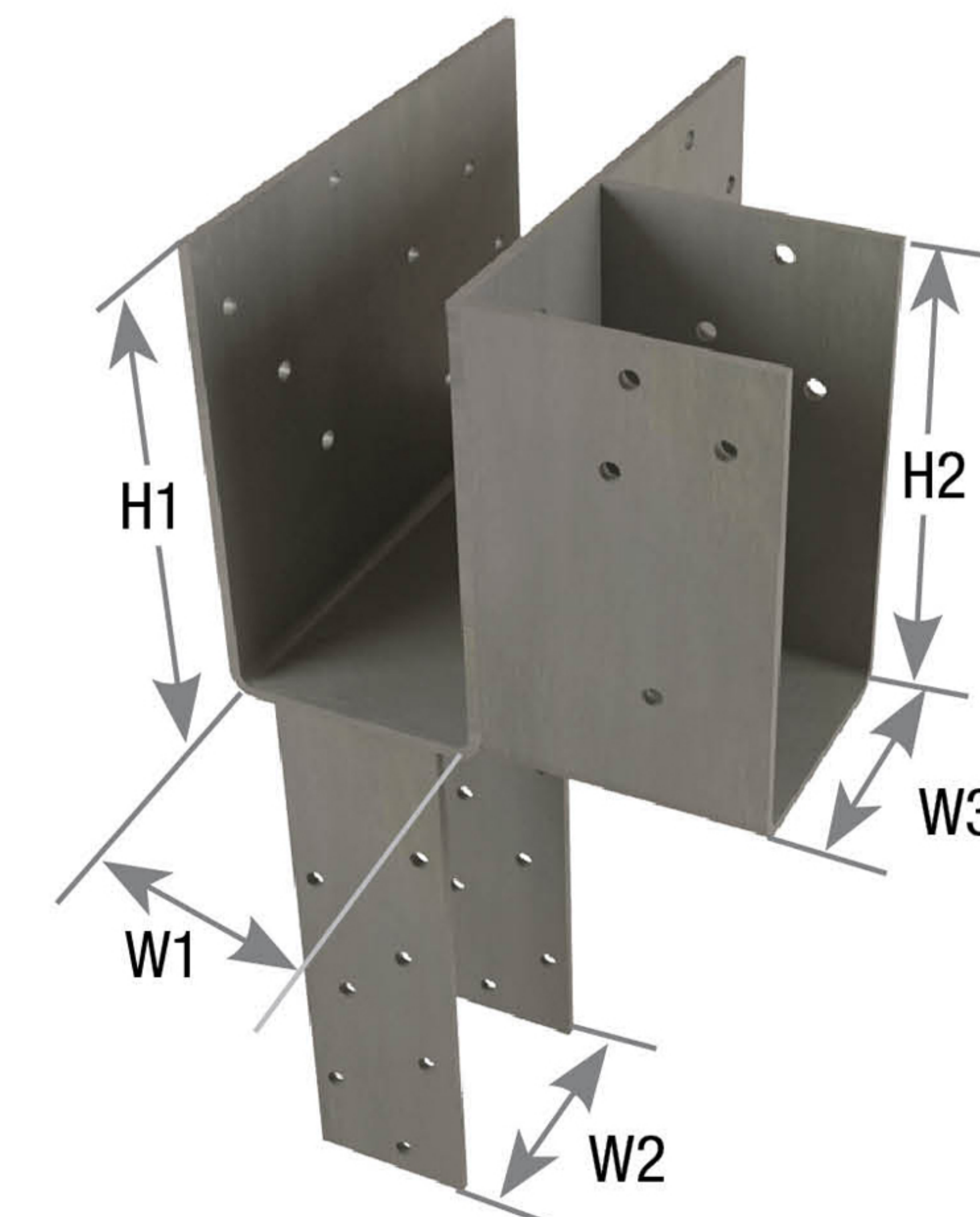
KCCQOB



KCCQT



KCCQC



**KECCQLL
left shown**