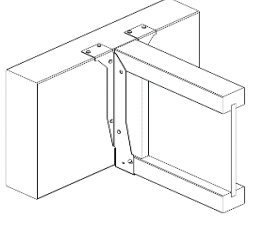
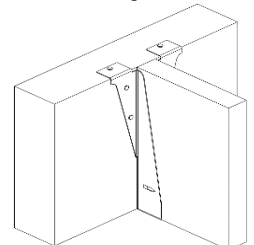
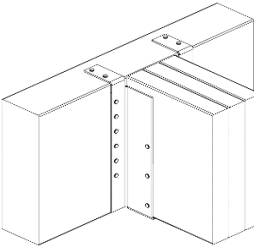
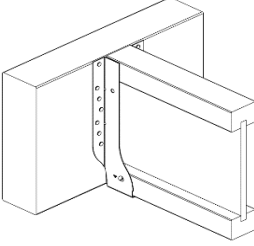
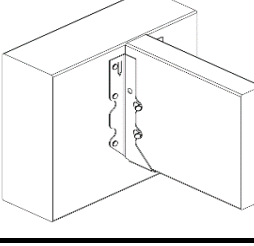
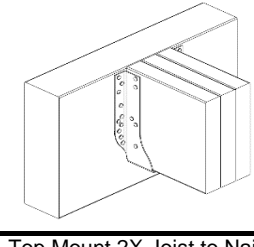
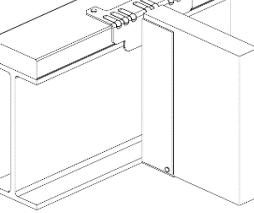
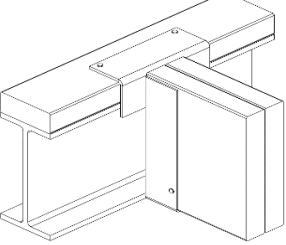
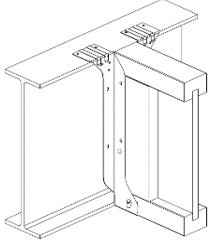
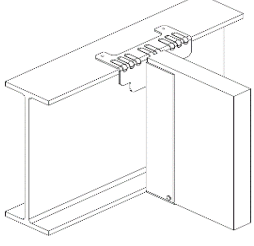
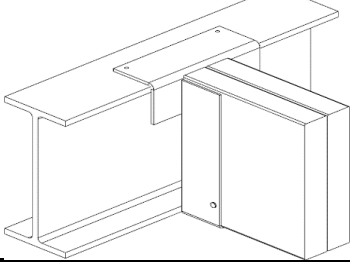
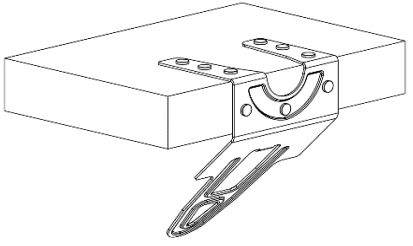
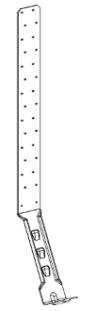
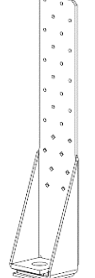
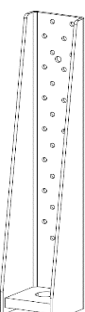
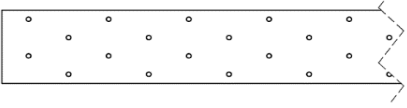
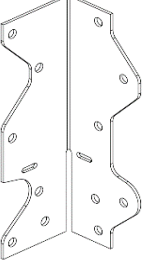
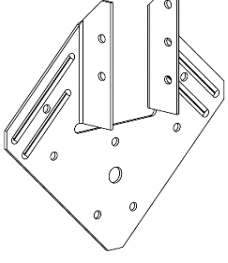
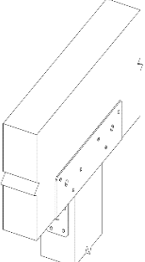
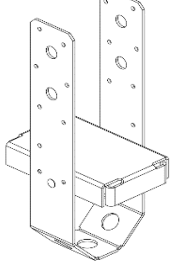


**HANGER AND CONNECTOR SCHEDULE**

1. All WOOD FRAMING CONNECTORS shall be MiTek "USP STRUCTURAL, CONNECTORS", SIMPSON "STRONG-TIE" or equivalent and shall be in accordance with the following schedule unless specifically noted otherwise.
2. Refer to MiTek "USP STRUCTURAL CONNECTORS" OR SIMPSON product catalogs for proper installation.
3. HARDWARE not referenced in the following schedule shall be installed to framing with fasteners per manufacturer's recommendations for maximum capacity.
4. NAILS FOR CONNECTORS should be installed in all round holes. If MAX is noted on the framing plan, then install nails in all holes including diamond shaped holes. Full length common nails should be installed in all slant nailed hangers to insure nail penetration into the supporting member.

Application Type and Image	MiTek USP	Simpson	Fastener Schedule
Top Mount Single ply I-Joist to Wood Framing or Nailer 	THO	ITS	11-7/8"-in and shallower I-Joists. 10d Common Nails into Header, 10dx1-1/2" into Joist.
	TFL	MIT	14-in or deeper I-Joists. 10d Common Nails into Header, 10dx1-1/2" into Joist.
	TFI	MIT	2-3/8" or wider I-Joists. 16d Common Nails into Header for TFL, 10dx1-1/2" into Joist.
Top Mount Single ply 2X Joist to Wood Framing or Nailer 	HL	JB	2x14 and shallower 2X Joists. 16d Common Nails into header.
Top Mount Multi-ply 2X or 3X beams to Wood Framing or Nailer 	HDO	HUTF	(2,3,4 Ply) 2X lumber with 10d Common nails.
	KHW	HW	6X & 8X Timber with 10d Common Nails.
	PHXU	HWU	3-1/2" width or smaller structural composite or glulam EWP members. 10d Common Nails.
	PHXU	HWU	5-1/8" width or wider structural composite or glulam EWP members. 16d Common Nails.
Face Mount Single ply I-Joist to Wood Framing or Nailer 	THF	IUS	16-in or shallower I-Joists. 10d Common Nails.
Face Mount Single ply 2X Joist to Wood Framing or Nailer 	JUS	LUS	2x12 or shallower 2X lumber. 10d Common Nails
Face Mount Multi-ply 2X beams and 3X,4X,6X, and 8X and EWP lumber to Wood Framing or Nailer 	HD	HU	(2,3,4 Ply) 2X lumber and 6X lumber with 16d Common nails into Header and 10d Common nails into joist.
	HD	HU	8X lumber with 16d Common nails.
	HD	HU	Structural composite or glulam EWP members. 16d Common Nails.
Top Mount 2X Joist to Nailer 	SW	JB	10d x 1-1/2" Nails

<p>Top Mount Multi-ply 2X or 3X or larger beams to Nailers</p> 	SWH	WNP	(2 Ply) 2x6 and deeper lumber with 10d x 1-1/2" Nails
	SWH	W	4x6-in or shallower lumber with 10d x 1-1/2" Nails
	BPH	BA	4x8-in or deeper lumber with 10d x 1-1/2" Nails
	KHW	HW	4X, 6X, 8X Lumber attached to 3X minimum letter. 16d x 2-1/2" Nails to nailer. 10d Common to joist.
	PHXU	HWU	Structural composite or glulam EWP members. 16d Common Nails to nailer. 10d x 1-1/2" to Joist. 4X Minimum Nailers.
<p>Top Mount Single ply I-Joist to structural steel</p> 	THO	ITS	11-7/8"-in and shallower I-Joists. #10 Self Tapping screws into beam, 10dx1-1/2" into Joist.
	TFL	MIT	14-in or deeper I-Joists. #10 Self Tapping screws into beam, 10dx1-1/2" into Joist.
<p>Top Mount Single ply 2X to Structural Steel</p> 	SW	LB	#10 Self Tapping Screws. 10d x 1-1/2" Nails into Joist
<p>Top Mount Multi-ply 2X or 3X beams to Structural Steel</p> 	HDO	B	3X and 4X Lumber with #10 Self Tapping Screws, 10d Common Nails into Joist
	KHW	HW	6X and 8X Lumber with #10 Self Tapping Screws. 16d Common Nails into joist.
	HBPH	HB	3-1/2" width or smaller structural composite or glulam EWP members. #10 Self Drilling Screws or weld to Beam. 16d Common Nails into Joist.
	KHHB	HHB	5-1/8" width or wider structural composite or glulam EWP members. #10 Self Drilling Screws or weld to Beam. 16d Common Nails into Joist.
<p>Mudsill Anchor</p> 	FA4	MASA	10d x 1-1/2" Nails
<p>Holdown-Embedded Strap</p> 	STAD10	STHD10	Installed directly to Framing, 10d x 1-1/2", 10d Common or 16d Sinkers. Installed over sheathing with 10d Common or 16d Sinkers Nails
	STAD14	STHD14	
<p>Holdown-Nailed w/Anchor Bolt</p> 	HTT45	HTT4	Install Directly to Framing with 10d Common or 16d x 2-1/2" Pneumatic
	HTT45	HTT5	
<p>Holdown-Screwed or Bolted w/Anchor Bolt</p> 	PHD2A	HDU2	Install Directly to Framing with Manufacturer Provided Screws. Retighten nuts before closing walls.
	PHD4A	HDU4	
	PHD5A	HDU5	
	UPHD8	HDU8	
	UPHD11	HDU11	
	HPHD14	HDU14	
	TD15	HD19	Installs with Bolts

<p>Straps</p> 	CMSTC16	CMSTC16	<p>Installed directly to Framing, 10d x 1-1/2" with 10d Common or 16d Sinker. Installed over sheathing with 10d Common or 16d Sinker Nails</p>
	CMST14	CMST14	
	CMST12	CMST12	
	RS300	CS22	
	RS250	CS20	
	RS200	CS18	
	RS150	CS16	
	RS14-100	CS14	
<p>Framing Clips</p> 	MPA1	A35	<p>Installed directly to Framing, 8d x 1-1/2" with 8d Common or 16d Sinker. Installed over sheathing with 8d Common or 16d Sinker Nails</p>
	MP4F	LTP4	
<p>Hurricane Ties</p> 	RT15	H1	<p>Installed directly to Framing, 8d x 1-1/2" with 8d Common or 16d Sinker. Installed over sheathing with 8d Common or 16d Sinker Nails</p>
<p>Post Caps</p> 	PCM	PC	<p>Installed with 16d Common or 16d x 2-1/2" Nails.</p>
	EPCM	EPC	
	C	BC	
<p>Post Bases</p> 	WE	PB	<p>Installed with 16d Common or 16d x 2-1/2" Nails.</p>
	WAS	PBS	