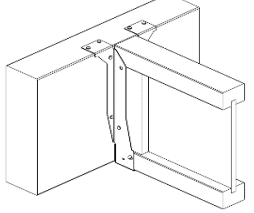
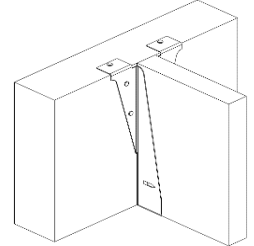
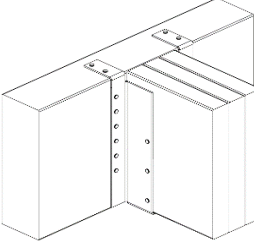
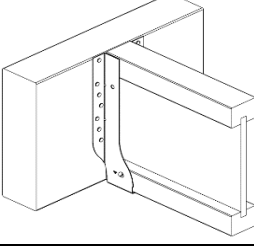
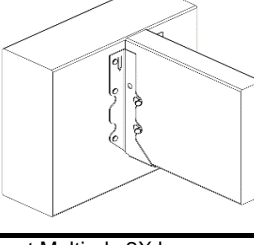
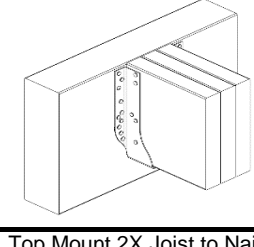
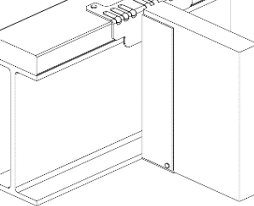
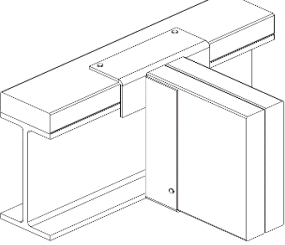
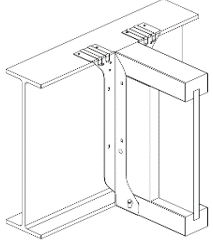
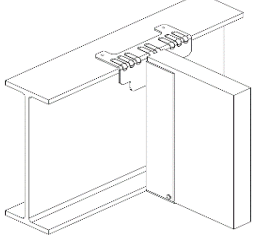
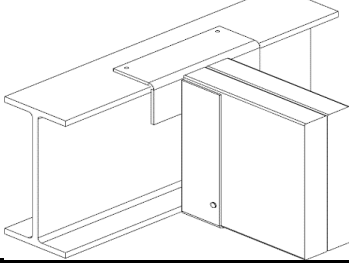
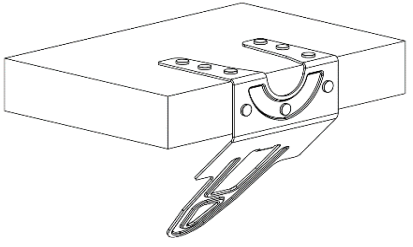
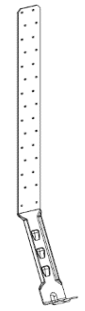
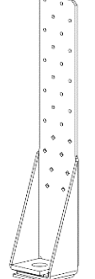
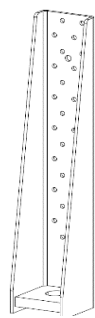
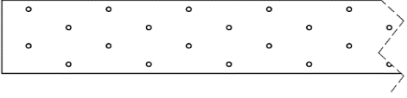
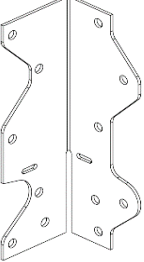
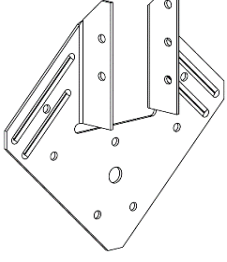
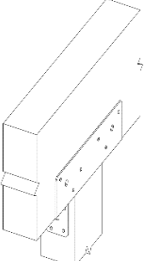
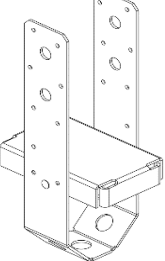


HANGER AND CONNECTOR SCHEDULE

1. All WOOD FRAMING CONNECTORS shall be MiTek "USP STRUCTURAL, CONNECTORS", SIMPSON "STRONG-TIE" or equivalent and shall be in accordance with the following schedule unless specifically noted otherwise.
2. Refer to MiTek "USP STRUCTURAL CONNECTORS" OR SIMPSON product catalogs for proper installation.
3. HARDWARE not referenced in the following schedule shall be installed to framing with fasteners per manufacturer's recommendations for maximum capacity.
4. NAILS FOR CONNECTORS should be installed in all round holes. If MAX is noted on the framing plan, then install nails in all holes including diamond shaped holes. Full length common nails should be installed in all slant nailed hangers to insure nail penetration into the supporting member.

| Application Type and Image | Simpson | MiTek USP | Fastener Schedule |
|--|---------|-----------|--|
| Top Mount Single ply I-Joist to Wood Framing or Nailer  | ITS | THO | 11-7/8"-in and shallower I-Joists. 10d Common Nails into Header, 10dx1-1/2" into Joist. |
| | MIT | TFL | 14-in or deeper I-Joists. 10d Common Nails into Header, 10dx1-1/2" into Joist. |
| | MIT | TFI | 2-3/8" or wider I-Joists. 16d Common Nails into Header for TFL, 10dx1-1/2" into Joist. |
| Top Mount Single ply 2X Joist to Wood Framing or Nailer  | JB | HL | 2x14 and shallower 2X Joists. 16d Common Nails into header. |
| Top Mount Multi-ply 2X or 3X beams to Wood Framing or Nailer  | HUTF | HDO | (2,3,4 Ply) 2X lumber with 10d Common nails. |
| | HW | KHW | 6X & 8X Timber with 10d Common Nails. |
| | HWU | PHXU | 3-1/2" width or smaller structural composite or glulam EWP members. 10d Common Nails. |
| | HWU | PHXU | 5-1/8" width or wider structural composite or glulam EWP members. 16d Common Nails. |
| Face Mount Single ply I-Joist to Wood Framing or Nailer  | IUS | THF | 16-in or shallower I-Joists. 10d Common Nails. |
| Face Mount Single ply 2X Joist to Wood Framing or Nailer  | LUS | JUS | 2x12 or shallower 2X lumber. 10d Common Nails |
| Face Mount Multi-ply 2X beams and 3X,4X,6X, and 8X and EWP lumber to Wood Framing or Nailer  | HU | HD | (2,3,4 Ply) 2X lumber and 6X lumber with 16d Common nails into Header and 10d Common nails into joist. |
| | HU | HD | 8X lumber with 16d Common nails. |
| | HU | HD | Structural composite or glulam EWP members. 16d Common Nails. |
| Top Mount 2X Joist to Nailer  | JB | SW | 10d x 1-1/2" Nails |

| | | | |
|---|--------|--------|--|
| <p>Top Mount Multi-ply 2X or 3X or larger beams to Nailers</p>  | WNP | SWH | (2 Ply) 2x6 and deeper lumber with 10d x 1-1/2" Nails |
| | W | SWH | 4x6-in or shallower lumber with 10d x 1-1/2" Nails |
| | BA | BPH | 4x8-in or deeper lumber with 10d x 1-1/2" Nails |
| | HW | KHW | 4X, 6X, 8X Lumber attached to 3X minimum letter. 16d x 2-1/2" Nails to nailer. 10d Common to joist. |
| | HWU | PHXU | Structural composite or glulam EWP members. 16d Common Nails to nailer. 10d x 1-1/2" to Joist. 4X Minimum Nailers. |
| <p>Top Mount Single ply I-Joist to structural steel</p>  | ITS | THO | 11-7/8"-in and shallower I-Joists. #10 Self Tapping screws into beam, 10dx1-1/2" into Joist. |
| | MIT | TFL | 14-in or deeper I-Joists. #10 Self Tapping screws into beam, 10dx1-1/2" into Joist. |
| <p>Top Mount Single ply 2X to Structural Steel</p>  | LB | SW | #10 Self Tapping Screws. 10d x 1-1/2" Nails into Joist |
| <p>Top Mount Multi-ply 2X or 3X beams to Structural Steel</p>  | B | HDO | 3X and 4X Lumber with #10 Self Tapping Screws, 10d Common Nails into Joist |
| | HW | KHW | 6X and 8X Lumber with #10 Self Tapping Screws. 16d Common Nails into joist. |
| | HB | HBPH | 3-1/2" width or smaller structural composite or glulam EWP members. #10 Self Drilling Screws or weld to Beam. 16d Common Nails into Joist. |
| | HHB | KHHB | 5-1/8" width or wider structural composite or glulam EWP members. #10 Self Drilling Screws or weld to Beam. 16d Common Nails into Joist. |
| <p>Mudsill Anchor</p>  | MASA | FA4 | 10d x 1-1/2" Nails |
| <p>Holdown-Embedded Strap</p>  | STHD10 | STAD10 | Installed directly to Framing, 10d x 1-1/2", 10d Common or 16d Sinkers. Installed over sheathing with 10d Common or 16d Sinkers Nails |
| | STHD14 | STAD14 | |
| <p>Holdown-Nailed w/Anchor Bolt</p>  | HTT4 | HTT45 | Install Directly to Framing with 10d Common or 16d x 2-1/2" Pneumatic |
| | HTT5 | HTT45 | |
| <p>Holdown-Screwed or Bolted w/Anchor Bolt</p>  | HDU2 | PHD2A | Install Directly to Framing with Manufacturer Provided Screws. Retighten nuts before closing walls. |
| | HDU4 | PHD4A | |
| | HDU5 | PHD5A | |
| | HDU8 | UPHD8 | |
| | HDU11 | UPHD11 | |
| | HDU14 | HPHD14 | |
| | HD19 | TD15 | Installs with Bolts |

| | | | |
|--|---------|----------|--|
| <p>Straps</p>  | CMSTC16 | CMSTC16 | <p>Installed directly to Framing, 10d x 1-1/2" with 10d Common or 16d Sinker. Installed over sheathing with 10d Common or 16d Sinker Nails</p> |
| | CMST14 | CMST14 | |
| | CMST12 | CMST12 | |
| | CS22 | RS300 | |
| | CS20 | RS250 | |
| | CS18 | RS200 | |
| | CS16 | RS150 | |
| | CS14 | RS14-100 | |
| <p>Framing Clips</p>  | A35 | MPA1 | <p>Installed directly to Framing, 8d x 1-1/2" with 8d Common or 16d Sinker. Installed over sheathing with 8d Common or 16d Sinker Nails</p> |
| | LTP4 | MP4F | |
| <p>Hurricane Ties</p>  | H1 | RT15 | <p>Installed directly to Framing, 8d x 1-1/2" with 8d Common or 16d Sinker. Installed over sheathing with 8d Common or 16d Sinker Nails</p> |
| <p>Post Caps</p>  | PC | PCM | <p>Installed with 16d Common or 16d x 2-1/2" Nails.</p> |
| | EPC | EPCM | |
| | BC | C | |
| <p>Post Bases</p>  | PB | WE | <p>Installed with 16d Common or 16d x 2-1/2" Nails.</p> |
| | PBS | WAS | |