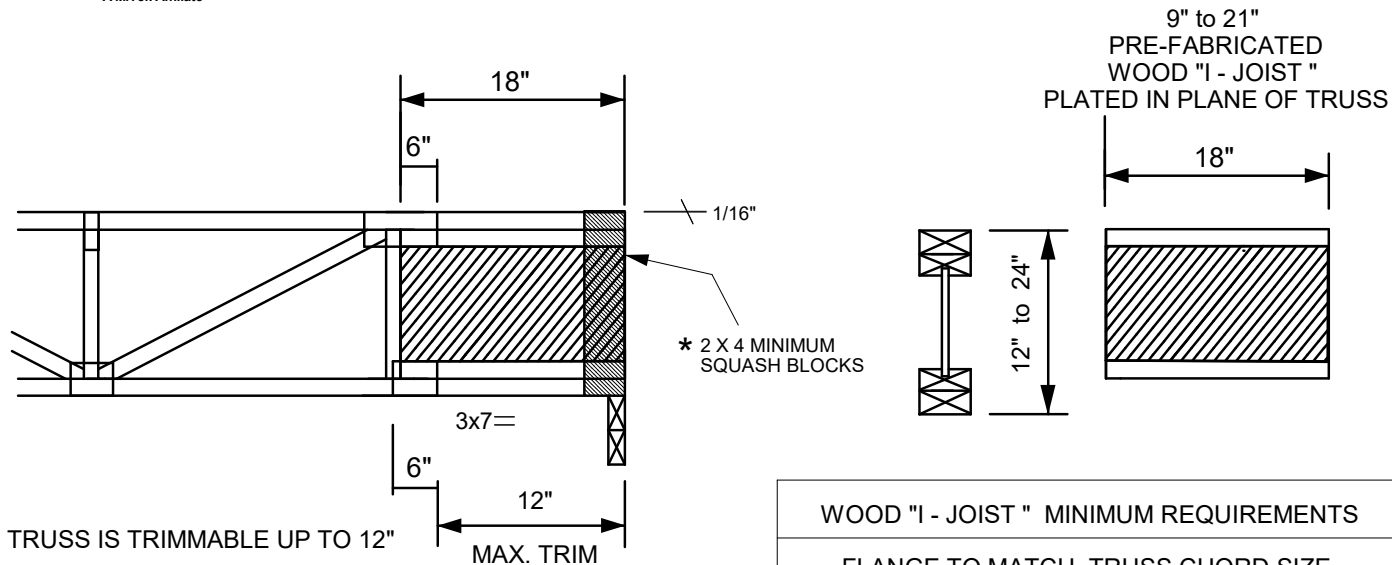




SEE THE MiTek TRUSS DESIGN REFERENCING THIS DETAIL FOR ADDITIONAL DESIGN INFORMATION



TRUSS IS TRIMMABLE UP TO 12"
 MINIMUM BEARING SIZE IS 1-3/4"
 MAX REACTION = 1320 lbs

WOOD "I - JOIST " MINIMUM REQUIREMENTS		
FLANGE TO MATCH TRUSS CHORD SIZE		
1-3/4" REACTION LIMIT WITHOUT WEB STIFFENER MUST BE = TO OR > THAN REACTIONS SHOWN		
FLANGE Ft	3x2 = 736 psi	4x2 = 509 psi

* SQUASH BLOCKS REQUIRED WHEN WALL LOADS FROM ABOVE ARE PRESENT. SQUASH BLOCKS ARE TO BE 1/16" TALLER THAN TRUSS. ATTACH SQUASH BLOCKS TO EACH FACE OF TRUSS WITH THREE 10d (0.131" X 3") NAILS IN EACH END. MAXIMUM WALL LOAD IS 7612 LBS.