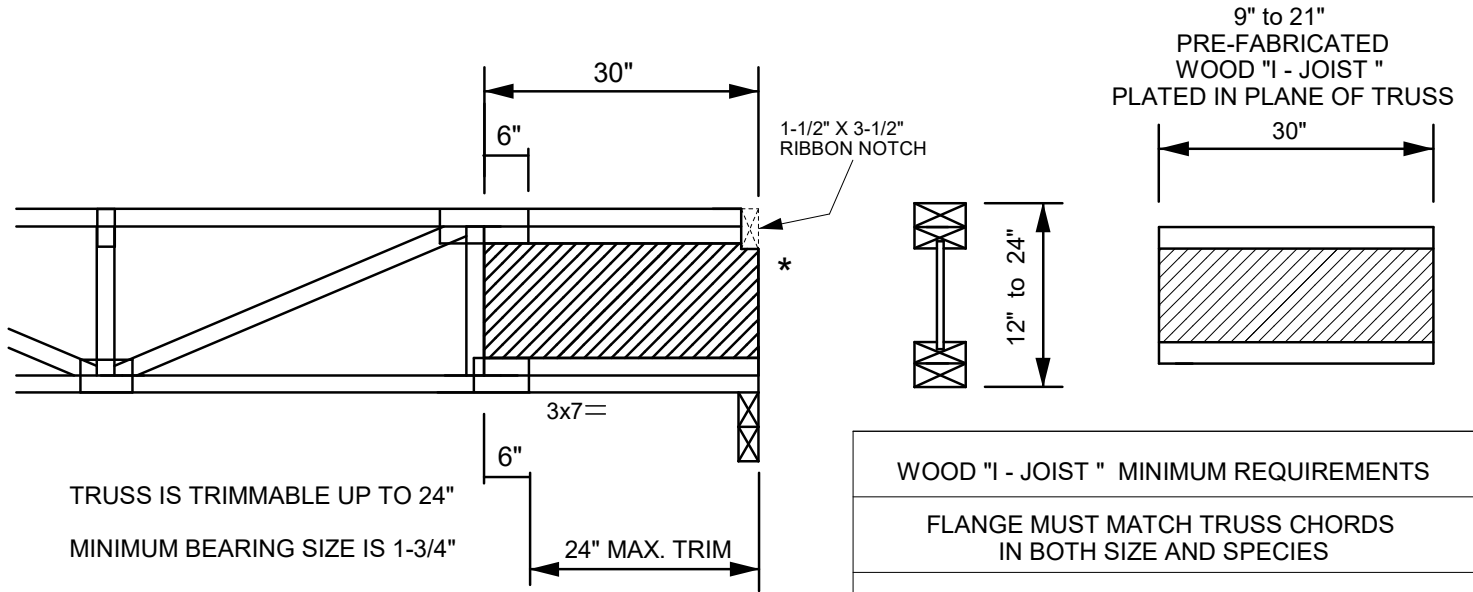




SEE THE MiTek TRUSS DESIGN
REFERENCING THIS DETAIL
FOR ADDITIONAL DESIGN INFORMATION



TRUSS IS TRIMMABLE UP TO 24"
MINIMUM BEARING SIZE IS 1-3/4"

WOOD "I - JOIST " MINIMUM REQUIREMENTS			
FLANGE MUST MATCH TRUSS CHORDS IN BOTH SIZE AND SPECIES			
1-3/4" REACTION LIMIT WITHOUT WEB STIFFENER MUST BE = TO OR > THAN REACTIONS SHOWN			
SP	FLANGE	Ft	3x2 = 1066 psi 4x2 = 738 psi
SPF	FLANGE	Ft	3x2 = 893 psi 4x2 = 618 psi

MAX REACTION (Including loads from above)		
DEPTH	SP	SPF
12"	1033 lbs	865 lbs
13"	1171 lbs	980 lbs
14"	1309 lbs	1096 lbs
15"	1320 lbs	1211 lbs
16" - 24"	1320 lbs	1320 lbs

* RIM BOARD REQUIRED TO SUPPORT LOADS FROM ABOVE