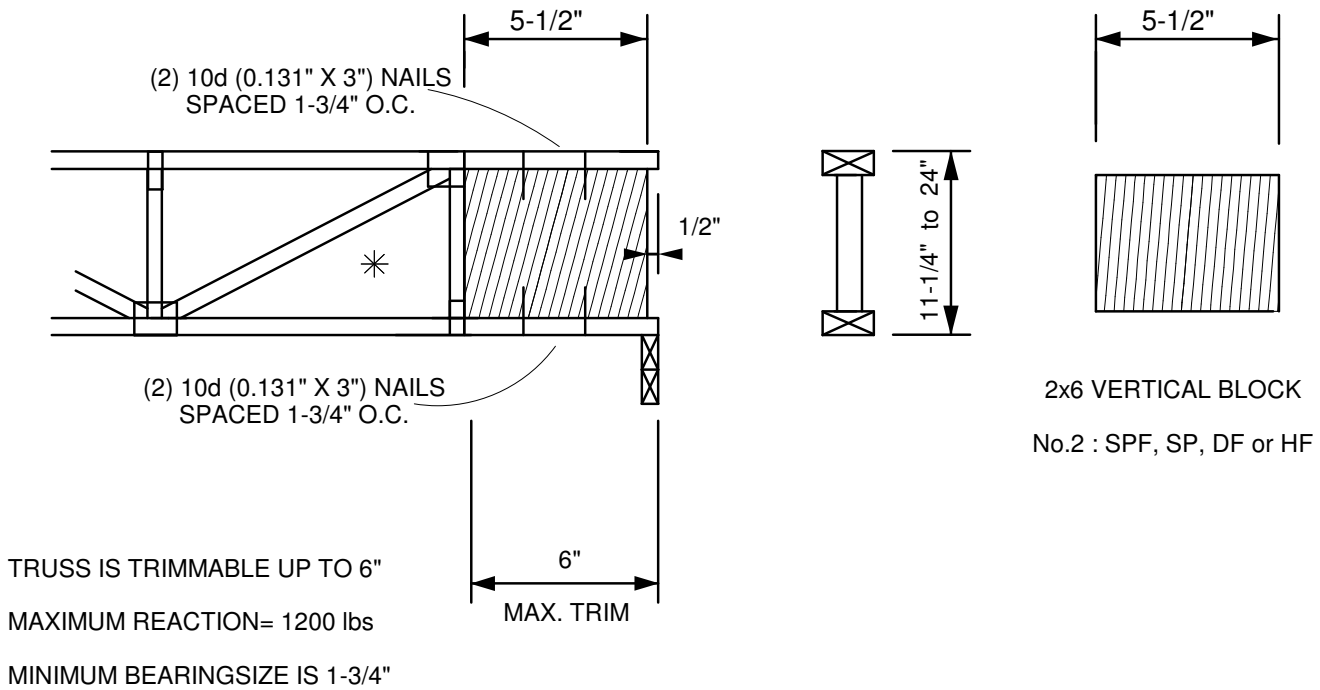


SEE THE MiTek TRUSS DESIGN
REFERENCING THIS DETAIL
FOR ADDITIONAL DESIGN INFORMATION



* LAST DIAGONAL WEB MUST BE RAN UP TO THE TOP CHORD AS SHOWN