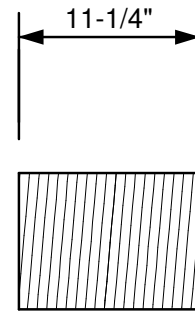
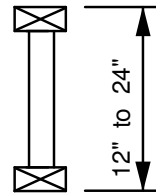
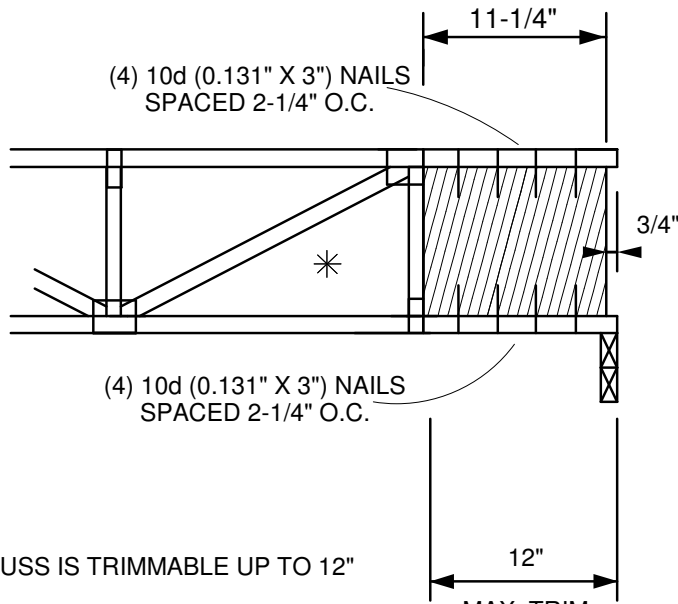


MiTek USA, Inc.



SEE THE MiTek TRUSS DESIGN
 REFERENCING THIS DETAIL
 FOR ADDITIONAL DESIGN INFORMATION



2x12 VERTICAL BLOCK
 No.2 : SPF, SP, DF or HF

TRUSS IS TRIMMABLE UP TO 12"

MAXIMUM REACTION= 1200 lbs

MINIMUM BEARING SIZE IS 1-3/4"

12"
 MAX. TRIM

* LAST DIAGONAL WEB MUST BE RAN UP TO THE TOP CHORD AS SHOWN