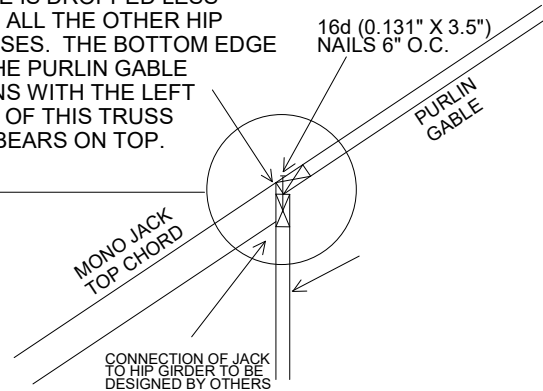
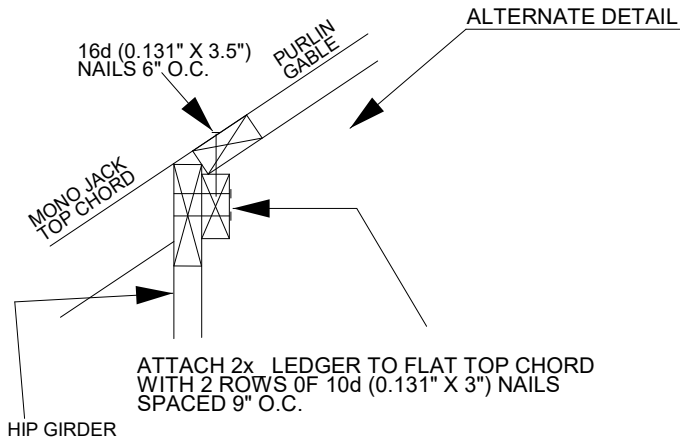
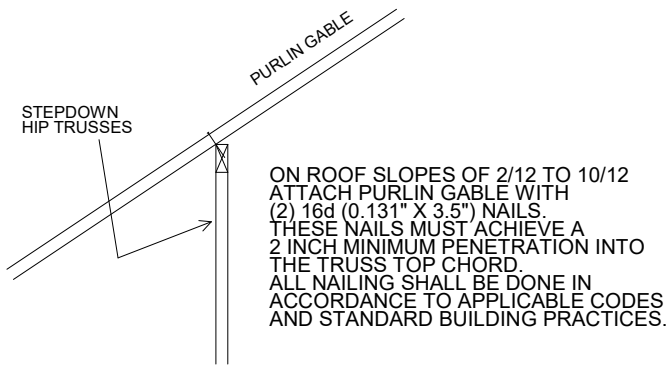




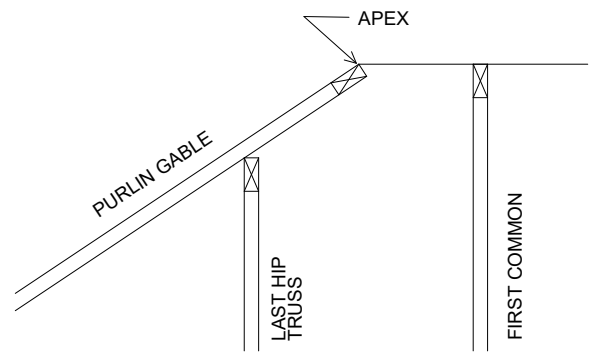
THE TOP OF THE HIP GIRDER TRUSS AT THE BASE OF THE PURLIN GABLE IS DROPPED LESS THAN ALL THE OTHER HIP TRUSSES. THE BOTTOM EDGE OF THE PURLIN GABLE ALIGNS WITH THE LEFT FACE OF THIS TRUSS AND BEARS ON TOP.



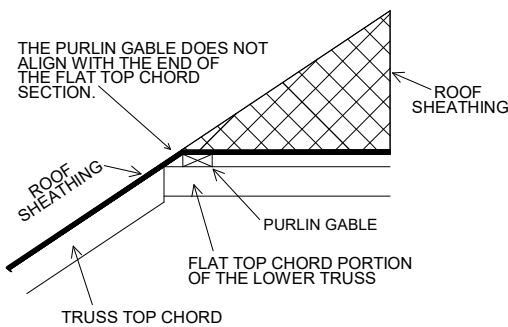
DETAIL #1



DETAIL #2



DETAIL #3



DETAIL #4