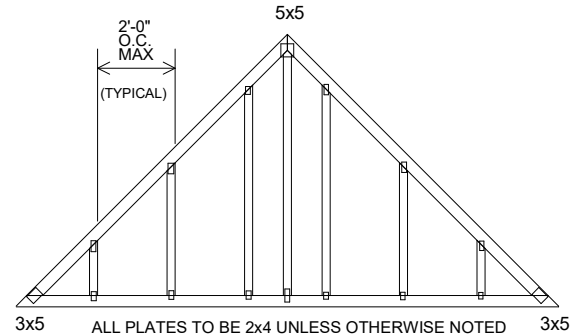
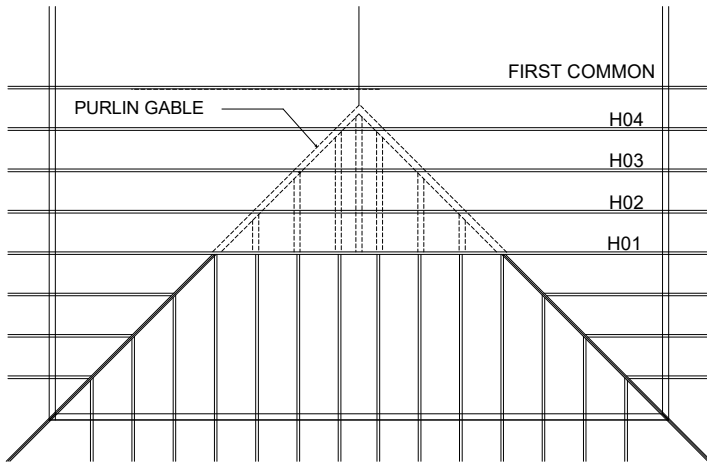


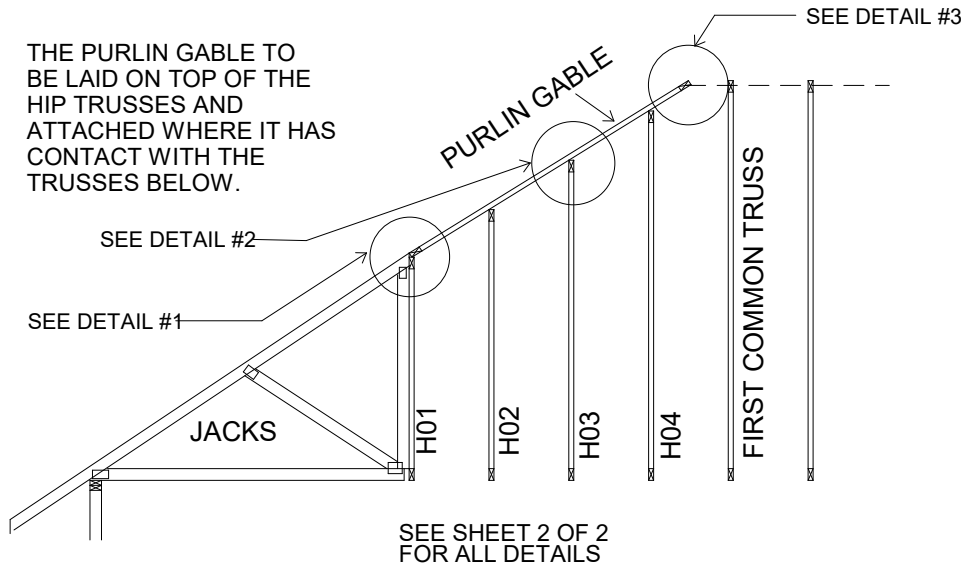


STUD SPACING ON PURLIN GABLE TO BE LESS THAN OR EQUAL TO THE LEAST TOP CHORD PURLIN SPACING ON THE GIRDER OR HIP TRUSS.



TYPICAL "PURLIN GABLE"

REFER TO ENGINEERED TRUSS DRAWING FOR EACH INDIVIDUAL TRUSS



MAX MEAN ROOF HEIGHT = 30 FEET
 CATEGORY II BUILDING
 EXPOSURE B or C
 ASCE 7-98, ASCE 7-02, ASCE 7-05 130 MPH (MWFRS)
 ASCE 7-10, ASCE 7-16 160 MPH (MWFRS)
 WIND DURATION OF LOAD INCREASE : 1.33
 MAX TRUSS SPACING = 24" O.C.
 MAX STUD SPACING = 24" O.C.
 MINIMUM PITCH 2/12
 MAXIMUM PITCH 12/12