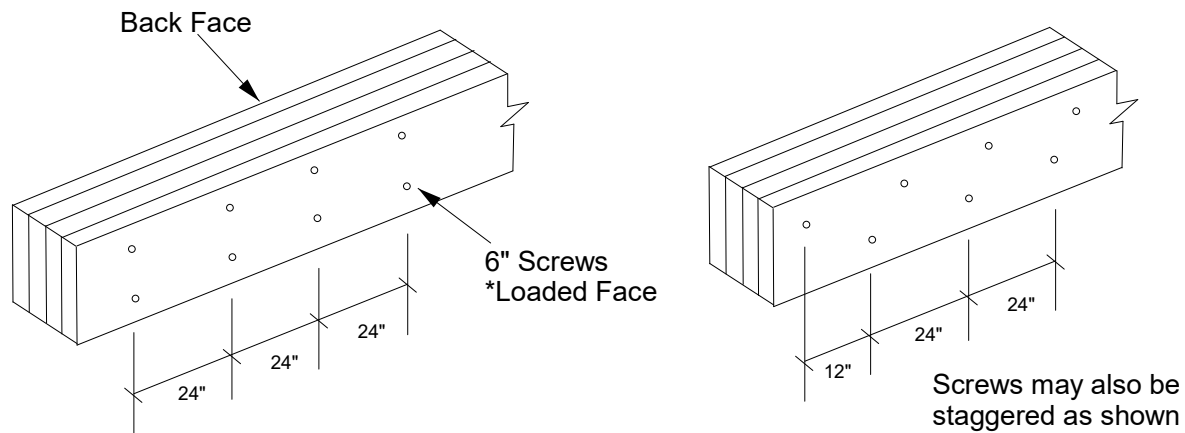




Four ply girder trusses are to be connected together using the nailing or screw schedule provided by MiTek software. In addition to the nailing typically specified, 1/2" dia. bolts are sometimes specified throughout certain chords as indicated on the truss design drawing. In lieu of these bolts, the following wood screws may be used: USP WS6, MiTek Pro Series WSWH6, FastenMaster Trusslok-Z 6", FastenMaster FlatLOK FL006, *Simpson SDS1/4 x 6, Simpson SDW22600 (for assemblies between 6" and 6 3/16"), or Simpson SDW22638 (for assemblies between 6 3/16" and 6 3/8" thick).

These screws are to be installed in two rows spaced 24"o.c. in 2x6 and larger chords (use one row in 2x4 chords) as shown in the detail below.

These connections are intended to provide clamping force to aid in allowing the four ply assembly to act as a unit and are not included in the calculation of ply to ply load transfer.



It is vitally important that the plies are tightly clamped together during the installation of the screws to prevent gaps between the plies.

USP WS6, MiTek Pro Series WSWH6, FastenMaster Trusslok-Z6", FastenMaster FlatLOK FL006, and Simpson SDW screws may be installed from either face.

*Note that Simpson SDS Screws must be installed from the loaded face.

For trusses where screws are specified for the ply to ply connection instead of nails, the bolts called out in the connection notes on the truss design may be omitted.