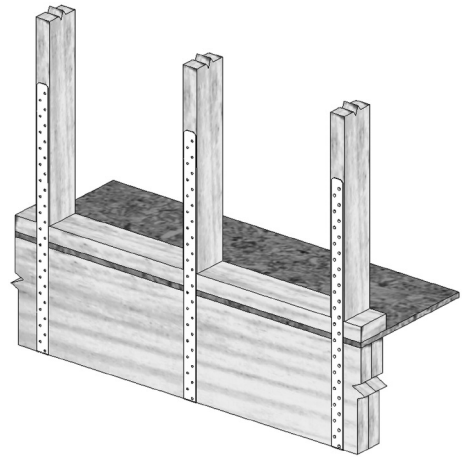


# MSTC, RS, & CMST STRAPS IN FIELD BENT APPLICATIONS

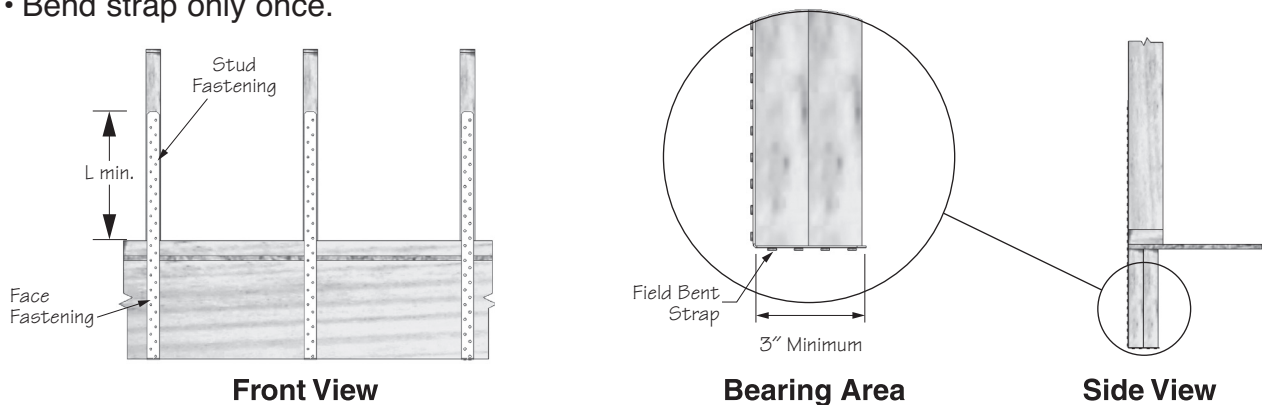
USP recently conducted research to investigate the capacity of a field bent strap creating a bearing area (see drawing below). Published in the table below are capacities for some of our strap and coil strap products using a predefined bearing area and fastening schedule. Using this application will assist the responsible designer in reducing the number of different products used on a project.

Simply bend a section of the strap over a rigid corner such as an edge of concrete. Trim the horizontal leg of the strap as needed for a finished edge. It is permissible to make one complete bend on the strap. The bend shall be a clean, sharp 90 degree bend. **Important:** Additional bending may reduce the capacity of the strap.



## Installation:

- Use all specified fasteners.
- Bend strap only once.



USP Stock No.	Steel Gauge	Dimensions		Fastener Schedule			Allowable Loads (Lbs.) <sup>2,3</sup>
		W	L Min. <sup>4</sup>	Stud	Bottom	Face	
<b>Flat Strap</b>							
MSTC40	16	3	22	(28) 10d	(4) 10d	(12) 10d	3110
MSTC66	14	3	28	(36) 10d	(4) 10d	(12) 10d	4110
<b>Coil Strap</b>							
RS150	16	1-1/4	10	(12) 10d	(3) 10d	(7) 10d	1300
CMSTC16	16	3	22	(28) 10d	(4) 10d	(12) 10d	3110
CMST14	14	3	32	(36) 10d	(4) 10d	(12) 10d	4110

1) Minimum 3" length for bearing flange.

2) Allowable loads apply to DF-L/SP. For S-P-F multiply allowable loads by 0.861.

3) Allowable loads have been increased 60% for wind and seismic loads; no further increase shall be permitted.

4) L Min. is the minimum strap length required against the wall stud above the sill plate.



USP supplies quality products to build Stronger Safer Structures

**Customer Service:**  
Burnsville, MN  
Phone: 1-800-328-5934/  
1-952-898-8772  
Fax: 1-952-898-8605

**Manufacturing:**  
Montgomery, MN  
Livermore, CA  
Largo, FL  
Thornhill, Ontario

**Warehouses:**  
Corona, CA  
Humble, TX  
Lumberton, NJ

[www.USPconnectors.com](http://www.USPconnectors.com)

A Subsidiary of MiTek, A Berkshire Hathaway Company

USP1086-101