

The RUSC Retro Uplift Strap Connector provides a wood-to-wood uplift connection attaching trusses with a 2x4 bottom chord to a double stud in the wall below. MiTek's WS3 structural wood screws are utilized for fast installation. The connector can be installed after roof sheathing has been installed.

Materials: 10 gauge

Finish: Primer

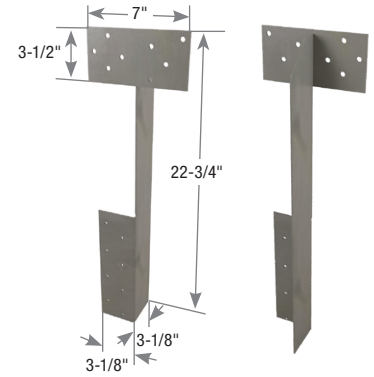
Codes: FL

Installation:

- Use all specified fasteners. See Product Notes, page 18.
- **The RUSC shall be installed in pairs.**
- Install on minimum 2-ply with equal wall studs centered directly below.
- Works with 2x4 bottom chord member and 2x4 wall studs.



Typical RUSC installation



RUSC

MiTek USP Stock No.	Ref. No.	Steel Gauge	No. of Plies ⁶	Fastener Schedule ^{4,5}				DF/SP Allowable Loads (Lbs.) ¹		S-P-F Allowable Loads (Lbs.) ¹		Code Ref.
				Qty	Rafter/Truss	Qty	Stud	Uplift 160%		Uplift 160%		
RUSC	--	10	2-Ply or greater	16	WS3	16	WS3	6040		5225	FL	

- 1) Allowable loads are for a pair of RUSC devices.
- 2) Uplift loads have been increased 60% for wind or seismic loads; no further increase shall be permitted.
- 3) Designer must specify stud or post to resist published load values.
- 4) MiTek's WS3 structural wood screws are 1/4" dia. x 3" long and are included with RUSC connectors.
- 5) Fastener schedule is for two straps used together. The RUSC shall be installed in pairs with a minimum 2-ply truss and wall stud attachment.
- 6) Truss plies shall be fastened together to act as a single unit.