

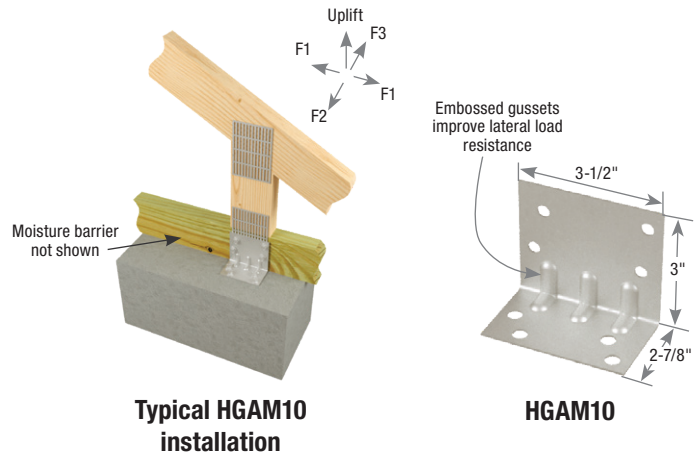
Designed for attaching gable end trusses to wood top plates and masonry walls.

For installation into grouted concrete tie beam or masonry bond beam. Provides lateral and uplift resistance.

Materials: 14 gauge
Finish: G90 galvanizing
Codes: FL

Installation:

- Use all specified fasteners. See Product Notes, page 18.
- Install MiTek's WS15 structural wood screws into the truss and drill holes for screw anchors. Install screw anchors into concrete block per manufacturer's recommendation.
- MiTek's WS15 structural wood screws and 1-3/4" screw anchors are included with HGAM10 angles.
- **Moisture barrier may be required.**



MiTek USP Stock No.	Ref. No.	Steel Gauge	Fastener Schedule				DF/SP Allowable Loads (Lbs.) ¹				S-P-F Allowable Loads (Lbs.) ¹				Code Ref.
			Rafter/Truss		Plate		Uplift 160%	F1 160%	F2 160%	F3 160%	Uplift 160%	F1 160%	F2 160%	F3 160%	
			Qty	Type ²	Qty	Screw Anchor ³									
HGAM10KT ⁴	HGAM10KTA	14	4	WS15	4	1/4" x 1-3/4"	980	1075	1080	980	575	630	635	575	FL

1) Allowable loads have been increased 60% for wind or seismic loads; no further increase shall be permitted.
 2) MiTek's WS15 structural wood screws are 1/4" dia. x 1-1/2" long.
 3) Use DeWalt 1/4" dia. x 1-3/4" long Screwbolt™+; or equal, installed in accordance with manufacturer's specification.
 4) The HGAM10KT is a kit with (10) HGAM10 angles packaged with MiTek's WS structural wood screws and 1-3/4" screw anchors.
 New products or updated product information are designated in **blue font**.

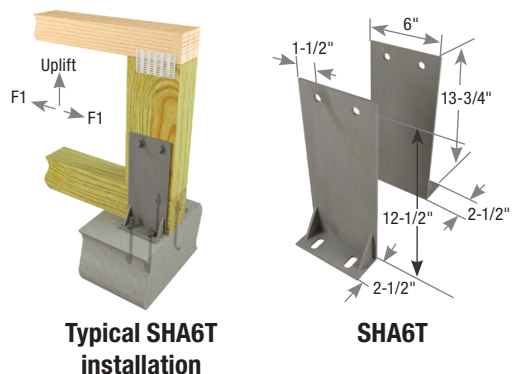
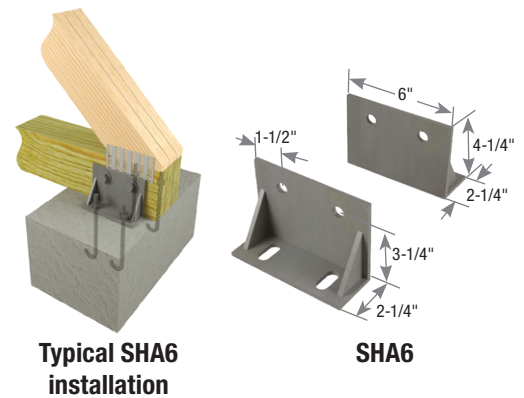
SHA Masonry Uplift Connectors

Connects trusses directly to masonry or concrete and features slotted base holes to ease installation.

Materials: Angle – 3 gauge; Gussets – 10 gauge
Finish: Primer

Installation:

- Use all specified fasteners. See Product Notes, page 18.
- Install directly flush to masonry wall.
- **The SHA series connectors shall be installed in pairs.**
- **Moisture barrier may be required.**



MiTek USP Stock No.	Ref. No.	Fastener Schedule ³				No. of Plies ⁶	DF/SP Allowable Loads (Lbs.) ^{1,2}		Code Ref.
		Concrete Wall		Rafter/Truss ⁷			Uplift 160%	F1 160%	
		Qty	Dia (in)	Qty	Bolt Dia (in)				
SHA6	--	4	1/2	2	3/4	2-Ply	3745	4005	--
						3-Ply or greater	5615	5565	
SHA6T	--	4	1/2	2	3/4	2-Ply	8370	1590	--
						3-Ply or greater		2190	

1) Allowable loads have been increased 60% for wind or seismic loads; no further increase shall be permitted.
 2) Allowable loads are for a pair of SHA devices. SHAs shall be installed in pairs.
 3) Fastener schedule is for a pair of SHA devices.
 4) 1/2" x 8" J-Bolts or equivalent.
 5) Concrete compressive strength shall be 2,500 psi or greater at 28 days.
 6) Multiple ply truss shall be fastened together to act as a single unit.
 7) Bolts shall conform to ASTM A 307 or better.
 8) The designer must specify anchor bolt type, length, and embedment.

Copyright © 2020 MiTek Industries, Inc. All Rights Reserved

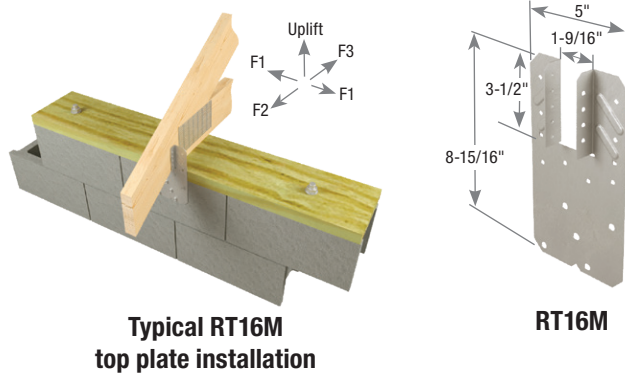
Truss & Rafter

Designed as a retrofit connector for trusses installed on top plates. Can also be used as a hold-down for a roof or floor system.

Materials: 18 gauge
Finish: G90 galvanizing
Codes: FL

Installation:

- Use all specified fasteners. See Product Notes, page 18.
- Concrete screws are not supplied with RT16M connector.
- Install concrete screws in lower two holes for Single Top Plate or Conventional Raised Foundation or Modular Home Installations.
- **Moisture barrier may be required.**



Typical RT16M top plate installation

RT16M

MiTek USP Stock No.	Ref. No.	Steel Gauge	Fastener Schedule						DF/SP Allowable Loads (Lbs.) ¹				S-P-F Allowable Loads (Lbs.) ¹				Code Ref.
			Truss/Rafter ⁵		Top Plate ⁵		CMU/Concrete ^{2,3,4}		Uplift 160%	F1 160%	F2 160%	F3 160%	Uplift 160%	F1 160%	F2 160%	F3 160%	
			Qty	Type	Qty	Type	Qty	Screws (in)									
RT16M	HM9KT	18	9	10d x 1-1/2"	--	--	4	1/4 x 1-3/4"	1395	630	125	490	1225	515	125	490	FL
					4	16d	2	Tapcon	1360	630	125	490	1200	515	85	400	

- 1) Allowable loads have been increased 60% for wind or seismic loads; no further increase shall be permitted.
 - 2) Install with 1/4" x 1-3/4" Tapcon® Concrete Screws in accordance to manufacturer's installation specifications.
 - 3) Fasteners to be installed to fully grouted and reinforced concrete masonry.
 - 4) Concrete compressive strength shall be 2,500 psi or greater at 28 days.
 - 5) **NAILS:** 10d x 1-1/2 nails are 0.148" dia. x 1-1/2" long, 16d nails are 0.162" dia. x 3-1/2" long.
- New products or updated product information are designated in **blue font**.

HGA Hurricane Gusset Angles

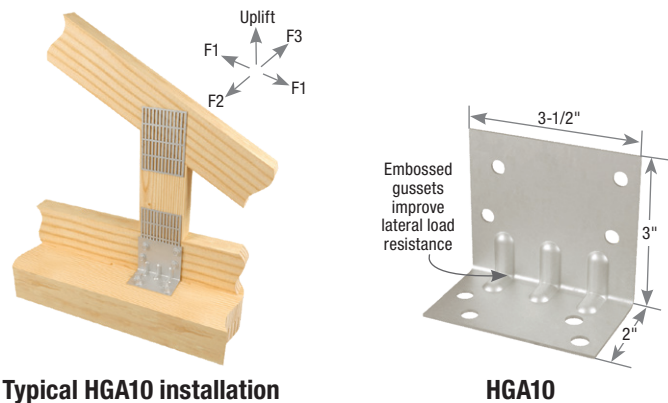
Designed for attaching gable end trusses to wood top plates and masonry walls.

Versatile wood-to-wood connector that satisfies high wind and seismic loading requirements.

Materials: 14 gauge
Finish: G90 galvanizing
Codes: IBC, FL, LA

Installation:

- Use all specified fasteners. See Product Notes, page 18.
- Install with MiTek's WS3 structural wood screws into top plate and MiTek's WS15 structural wood screws into the truss.
- MiTek's WS structural wood screws are included with HGA10 angles.
- **Moisture barrier may be required.**



Typical HGA10 installation

HGA10

MiTek USP Stock No.	Ref. No.	Steel Gauge	Fastener Schedule ²				Wall Framing	DF/SP Allowable Loads (Lbs.) ¹				S-P-F Allowable Loads (Lbs.) ¹				Code Ref.
			Rafter/Truss		Plate			Uplift 160%	F1 160%	F2 160%	F3 160%	Uplift 160%	F1 160%	F2 160%	F3 160%	
			Qty	Type	Qty	Type										
HGA10KT ³	HGA10KT	14	4	WS15	4	WS3	2x4	790	1105	340	835	515	820	250	620	IBC, FL, LA
						2x6			1065					890		

- 1) Allowable loads have been increased 60% for wind or seismic loads; no further increase shall be permitted.
 - 2) MiTek's WS15 structural wood screws are 1/4" dia. x 1-1/2" long and WS3 structural wood screws are 1/4" dia. x 3" long.
 - 3) The HGA10KT is a kit with (10) HGA10 angles packaged with MiTek's WS structural wood screws.
- New products or updated product information are designated in **blue font**.