

Embossed ends provide guides for embedment angle and depth. An embedment line is embossed on the shaft for easy installation. Features rolled threads for high tensile strength.

STB – For monolithic slabs and concrete stem walls

STBL – Designed for use with 3x sill plates
Excellent choice for use with taller holddown washers like those in the PHD series

Materials: ASTM A 36 steel, also conforms to ASTM F1554 and ASTM A 307 Grade A requirements for bolts

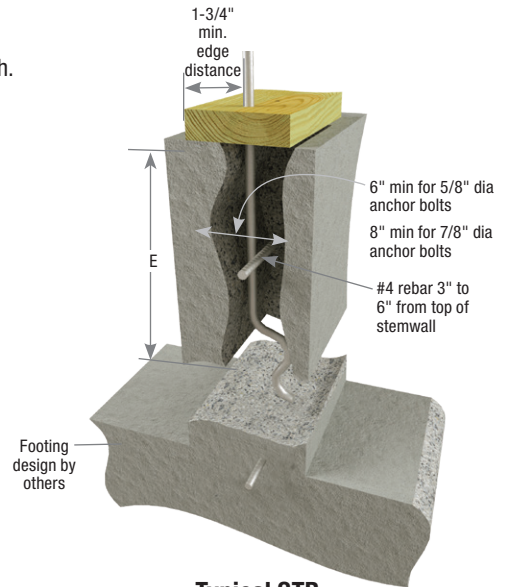
Finish: None

Options: See Chart for Corrosion Finish Options

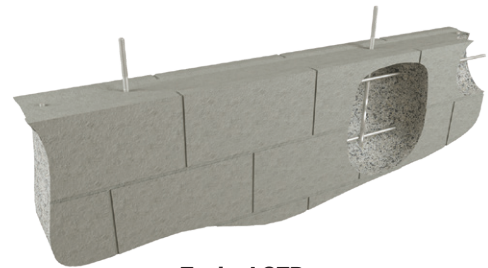
Codes: IBC, FL, LA

Installation:

- Select appropriate STB or STBL Anchor Bolt.
- Use normal weight concrete with minimum compressive strength of 2,500 psi.
- Minimum center-to-center spacing between bolts is 3(E) for anchors acting simultaneously in tension.
- Match embedment depth with embedment line on the STB or STBL shaft.
- The STB or STBL does not need to be tied to the rebar.
- Nuts and washers are not included.



Typical STB anchor bolt installation



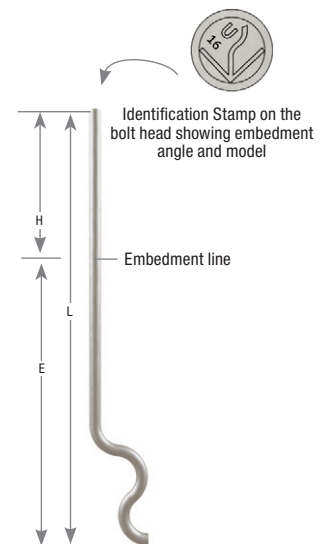
Typical STB concrete block installation

Anchor Bolt Selection Table

MiTek USP Stock No.	2x, 3x, (2) 2x Sill Plates ¹
	Mono Pour
PHD2A	STB16 STBL16
TDX2-TZ	
LTS20B	
HTT16	
HTT45	
PHD4A	STB20 STBL20
HTT45	
TD5	
HTT45	STB24 STBL24
PHD5A	
PHD8	STB28 STBL28
UPHD8	
TD7	
TD9	
TD12	

* Recommend installation of washer under nut of anchor bolt.

1) STBL model are recommended for use with PHD and UPHD8 holdowns on (2) 2x and 3x sill plates.

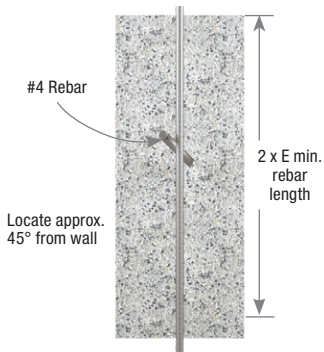
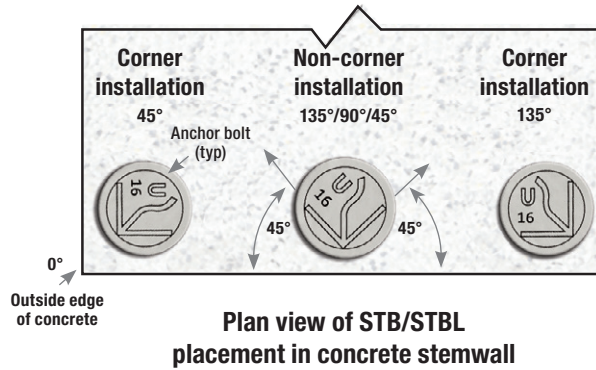


STB/STBL

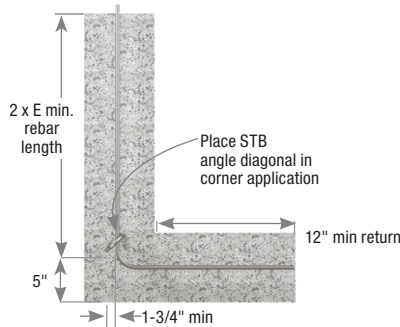
Continued on next page

Monolithic or Stem Wall Foundations – Prior to pour, install the STB or STBL in an upright position and at a 45° angle to the wall. Install one horizontal #4 rebar at a depth of 4" (minimum). (See illustrations.)

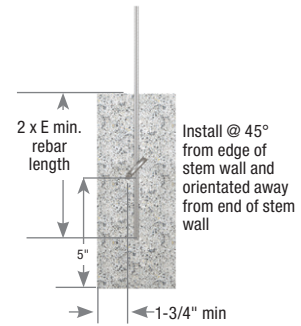
Concrete Block Applications – Prior to cell pour, install the STB or STBL in an upright position and at a 45° angle to the wall. (See illustrations.) Use the embossed angle guide on the end of the STB or STBL shaft as a guide. Install one horizontal #4 rebar at a depth of 4" and one vertical #4 rebar maximum 48" o.c. spacing. Fill all cells with concrete having a minimum 2,500 psi compressive strength.



Plan view along continuous stem wall installation



Plan view of corner of stem wall installation



Plan view of end of stem wall installation

MiTek USP Stock No.	Ref. No.	Dimensions (in)					Allowable Tension Loads (Lbs) ^{1,2}									Corrosion Finish	Code Ref.
		Stem-wall Width	Dia.	L	H	Min. Embed (E)	SDC A&B			Wind			SDC C - F				
							Midwall	Corner	End Wall	Midwall	Corner	End Wall	Midwall	Corner	End Wall		
STB16	SSTB16	6	5/8	17-13/16	5	12-13/16	4230	4230	4230	4230	4230	4230	3525	3525	3525	IBC, FL, LA	
STB20	SSTB20	6	5/8	21-13/16	5	16-13/16	5120	4740	4740	5115	4230	4230	4265	3555	3555		
STB24	SSTB24	6	5/8	25-13/16	5	20-13/16	5990	5915	5915	5990	5570	5570	4990	4675	4675		
STB28	SSTB28	8	7/8	31	5	26	10100	9490	9490	9110	9110	9110	7650	7650	7650		
STB34	SSTB34	8	7/8	36	6	30	11415	10525	10250	11390	10525	9405	9515	8770	7900		
STB36	SSTB36	8	7/8	38	8	30	11415	10525	10250	11390	10525	9405	9515	8770	7900		
STBL16	SSTB16L	6	5/8	19-9/16	6-3/4	12-13/16	4230	4230	4230	4230	4230	4230	3525	3525	3525		
STBL20	SSTB20L	6	5/8	23-9/16	6-3/4	16-13/16	5120	4740	4740	5115	4230	4230	4265	3555	3555		
STBL24	SSTB24L	6	5/8	27-9/16	6-3/4	20-13/16	5990	5915	5915	5990	5570	5570	4990	4675	4675		
STBL28	SSTB28L	8	7/8	32-3/4	6-3/4	26	10100	9490	9490	9110	9110	9110	7650	7650	7650		

- 1) Loads may not be increased for short term loading.
- 2) Minimum center to center spacing between bolts is 3(E) for anchors acting in tension simultaneously.
- 3) Minimum edge distance is 1-3/4".
- 4) Concrete stemwall shall be a minimum of 6" thick for 5/8" anchor bolts and 8" for 7/8" anchor bolts.
- 5) End distance shall be no less than 5".
- 6) Connection is limited by lowest of bolt or holdown capacity.
- 7) Concrete block shall be minimum 10" block.
- 8) See ICC-ES ESR-2266 for additional information.

- Corrosion Finish**
- Stainless Steel
 - Gold Coat
 - HDG
 - Triple Zinc

The AB anchor bolt provides an economical way to meet the prescriptive requirements of the 2018 IRC for securing mudsill plates to a concrete or masonry foundation. The bolt is manufactured from ASTM 1554 steel and has a hot-dip galvanized finish. A nut (ASTM A 563) and washer (ASTM F 844) are included. In some jurisdictions, a plate washer may be required. Check with your local Building Official.

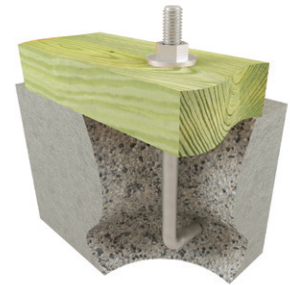
Materials: Bolt: ASTM F 1554, Nut: ASTM A 563, Washers: ASTM F 844

Finish: Hot-dip galvanized

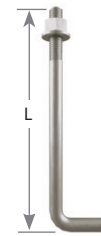
Codes: See IRC R403.1.6, IBC 2308.3.1, 2308.3.1.1, 2308.3.1.2 for minimum diameter and embedment into masonry or concrete.

Installation:

- Select appropriate AB Anchor Bolt.
- Use concrete with minimum compressive strength of 2,500 psi at 28 days.
- Nuts and washers are included.
- Anchor bolts intended for use to satisfy code prescribed anchoring of mudsill plates, and shall be installed as defined in the code.
- Allowable loads shall be derived in accordance with the code.
- Plate washers may be required in some jurisdictions.



Typical AB128-HDG installation



AB128-HDG

MiTek USP Stock No.	Ref. No.	Bolt Dia.	L (in)	Corrosion Finish	Code Ref.
AB126-HDG	--	1/2	6		PC
AB128-HDG	--	1/2	8		
AB1212-HDG	--	1/2	12		
AB5812-HDG	--	5/8	12		

Corrosion Finish

- Stainless Steel
- Gold Coat
- HDG
- Triple Zinc

BP / HBPS / LBP / LBPS Bearing Plates

BP / LBP – Designed to meet code requirements for mudsill-to-foundation

HBPS / LBPS – Offers anchor bolt adjustment slots

Materials: See chart

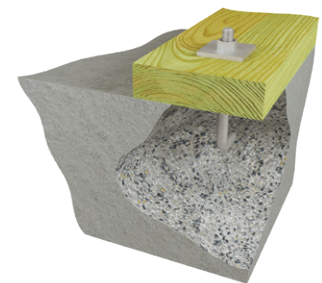
Finish: BP / HBPS – none; LBP / LBPS – G-185 galvanizing

Options: See Chart for Corrosion Finish Options

Codes: See IRC R602.11.1, IBC 2308.3.1.1 for minimum plate size requirements

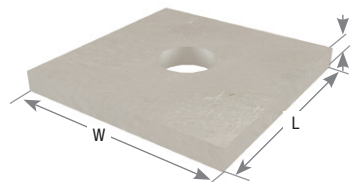
Installation:

- Bolt holes are sized 1/16" larger than Bolt Dia. shown in chart.

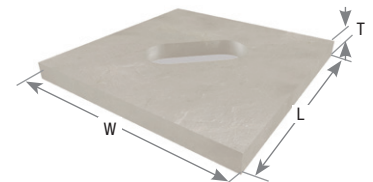


Typical Bearing Plate installation

MiTek USP Stock No.	Ref. No.	Plate Thickness (T)	Dimensions (in)			Bolt Dia.	Corrosion Finish	Code Ref.
			W	L				
LBP12-TZ	LBP1/2, LBP1/2Z	10 Ga	9/64	2	2	1/2		--
LBP58-TZ	LBP5/8, LBP5/8Z	10 Ga	9/64	2	2	5/8		PC
LBPS12-TZ	LBPS1/2, LBPS1/2Z	10 Ga	9/64	3	3	1/2		--
LBPS58-TZ	LBPS5/8, LBPS5/8Z	10 Ga	9/64	3	3	5/8		
HBPS12	BPS1/2-3	3 Ga	1/4	3	3	1/2		PC
HBPS34	BPS3/4-3	3 Ga	1/4	3	3	3/4		
HBPS58	BPS5/8-3	3 Ga	1/4	3	3	5/8		
BP12	BP1/2	7 Ga	3/16	2	2	1/2		
BP582	BP5/8-2	7 Ga	3/16	2	2	5/8		
BP583	BP5/8, BP5/8-3	3 Ga	1/4	3	3	5/8		
BP343	BP3/4-3	3 Ga	1/4	3	3	3/4		



BP / LBP Standard Bearing Plate



HBPS / LBPS Slotted Bearing Plate

Corrosion Finish

- Stainless Steel
- Gold Coat
- HDG
- Triple Zinc

Copyright © 2020 MiTek Industries, Inc. All Rights Reserved